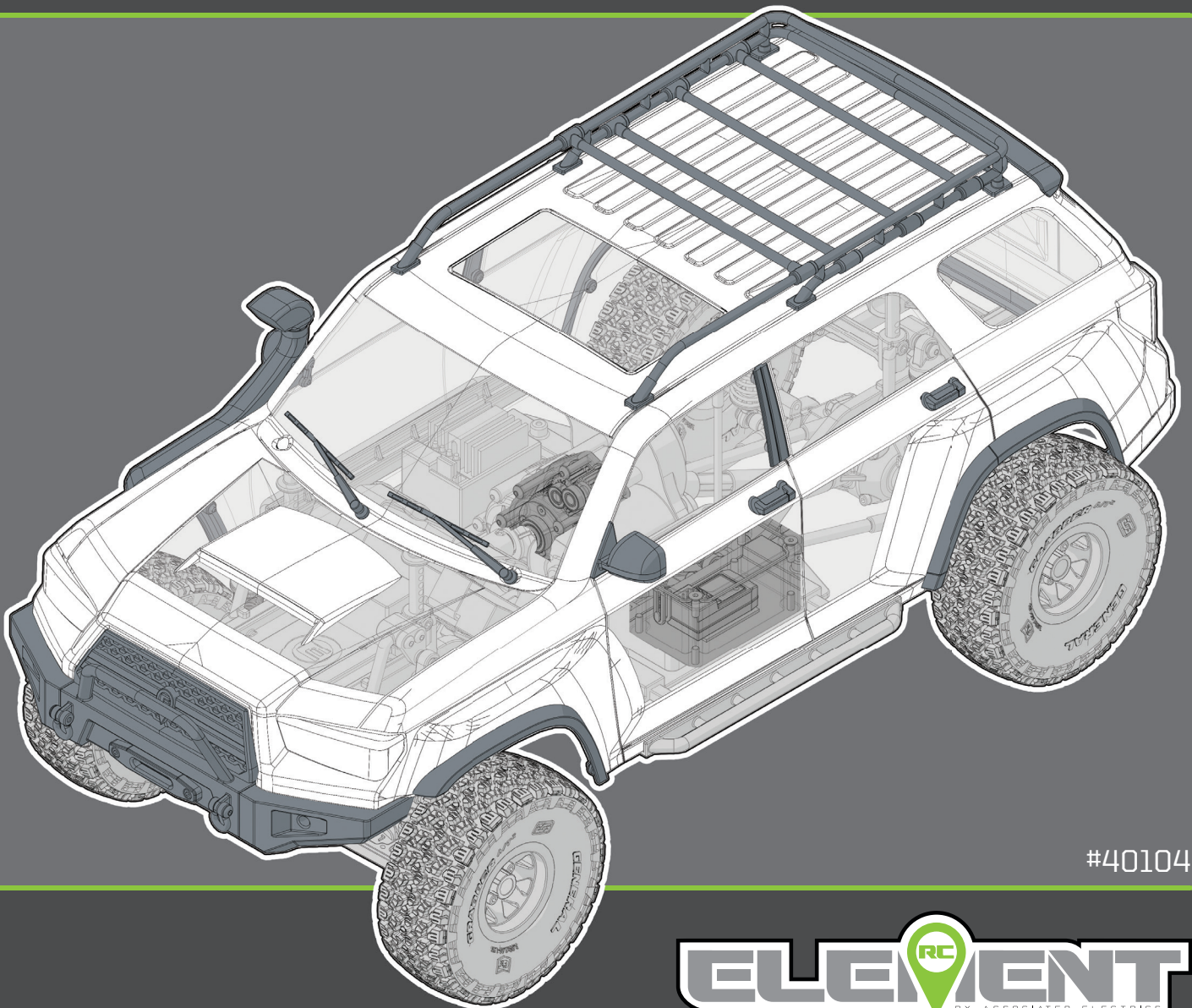


ENDURO

TRAILRUNNER
SPORT UTILITY VEHICLE



OWNERS BUILD MANUAL



#40104





Associated Electrics, Inc.
21062 Bake Parkway.
Lake Forest, CA 92630

Customer Service
Tel: 949.544.7500
Fax: 949.544.7501

Follow Us On Social Media



ElementRC



@Element_RC

www.ElementRC.com

AE is a Registered Trademark of Associated Electrics, Inc.

TEAM ASSOCIATED is a Registered Trademark of Associated Electrics, Inc.

REEDY is a Registered Trademark of Associated Electrics, Inc.

FACTORY TEAM is a Registered Trademark of Associated Electrics, Inc.

ELEMENT™ is a Trademark of Associated Electrics, Inc.

AREA 51 is a Registered Trademark of Associated Electrics, Inc.

STEALTH is a Registered Trademark of Associated Electrics, Inc.

GREEN SLIME is a Registered Trademark of Associated Electrics, Inc.

Your journey begins here.



INTRODUCTION

Thank you for purchasing this Element RC product. This assembly manual contains instructions and tips for building and maintaining your new Enduro chassis. Please take a moment to read through this manual to help familiarize yourself with these steps. We are continually changing and improving our designs; therefore, actual parts may appear slightly different than in the illustrations. New parts will be noted on supplementary sheets located in the appropriate parts bags.

ENDURO TRAIL TRUCK

A performance rig built to endure. When hitting the trail, you want to do it with confidence and the answer is the all new Enduro Trail Truck!

At the heart of the Enduro is our revolutionary Stealth® X gearbox. Although the exterior appears to have a conventional 3-gear transmission look, the inside is far from conventional. The Stealth® X features the ability to adjust the rear drive ratio independently from the front drive in 3 levels. Stock overdrives the front end 5.7%, option 1 provides a one-to-one drive ratio front to rear and option 2 overdrives the front end 11.83%.

Feeding the power to the tires are three-piece telescopic driveshafts with an extruded aluminum center section, universal front drive axles, and hardened steel ring and pinion gears. With the Enduro drivetrain, delivering useful power will not be an issue.

With durability, performance, agility and scale looks in mind, the engineers at Area 51 Design Works came up with the Independent Front Suspension conversion kit. Now you can get that same kit in an RTR vehicle. Pre-assembled with the same quality and features, this trail truck comes equipped with IFS and is scale ready to tackle rough off road terrain right out of the box.

The Enduro Trail Truck comes ready for adventure, with performance-driven Reedy Power electronics. The all-new, ultra-smooth and powerful, 16-turn 5-slot brushed crawler motor and Reedy Power SC400X electronic speed controller with T-plug connector, supply ample power to this tough rig. Controlling the beast on the trail is our new 3-channel XPI30 2.4GHz radio and Reedy Power high-torque 1320MG metal gear servo.

With all this packed in one box, we know the Enduro Trail Truck is ready for the trail – Are you?

FEATURES

- Stealth X Gearbox with adjustable overdrive gears
- CMS [Chassis Mounted Servo]
- Independent front suspension
- Aluminum swing rack
- Threaded aluminum shock bodies
- Durable injection-molded upper and lower suspension arms
- Universal front drive axles
- Stamped steel frame rails
- Enclosed receiver box
- 12mm wheel hexes
- Adjustable front and rear bumper mounts
- Adjustable width rock sliders
- Two battery boxes
- Aluminum Motor Plate
- Adjustable body posts
- Optimized ball cups for more fluid axle articulation
- Adjustable rear shock mount positions
- Telescopic driveshaft's front and rear
- Extruded aluminum driveshaft splines
- One-piece rear axle design
- Machined input pinion gear
- Metal ring gear
- Machined steel top shaft
- Metal idler gears
- Heavy duty 5mm diameter steel links
- Metal ball bearings included
- Licensed 1.55"x3.85" General Grabber A/T X tires

ELECTRONICS:

- Water resistant 2S-3S LiPo compatible Reedy SC400X brushed electronic speed control with adjustable drag brake and T-plug battery connector
- Smooth and powerful Reedy Crawler 16T 5-slot brushed motor
- XPI30 2.4GHz radio system (3 Channel)
- Reedy high-torque 1320MG metal gear servo (13kg/180 oz.)

TRAILRUNNER BODY FEATURES:

- TrailRunner body thermoformed in high-strength polycarbonate
- Two-piece body with accessories
- Clear windows with tinted decals
- Molded grill, fender flares, and door handles
- Molded side mirrors
- Three-piece injection molded front bumper with D-rings.
- Removable fairlead

ITEMS NEEDED

The following items are required to build or maintain your Enduro Trail Truck.

- 1.5mm Allen Wrench (#1500)
- 2mm Allen Wrench (#1501)
- 2.5mm Allen Wrench (#1503)
- Pliers
- Long Nose Pliers
- 5.5mm Nut Driver (#1507)
- 7mm Nut Driver (#1508)

OTHER HELPFUL ITEMS







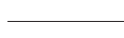
The following items aren't required, but will aid in the building and maintaining of your Enduro Trail Truck.

- Threadlock (#1596)
- Green Slime (#1105)





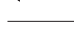









HARDWARE 1:1 SCALE VIEW

HARDWARE USED WITH OPTIONAL REPLACEMENT PART NUMBERS

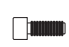
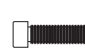
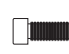




FLAT HEAD SCREWS (FHCS)

| | |
|--|------------------------------------|
|  | 2.5x10mm (31350) |
|  | 2.5x14mm (41077) |
|  | 3x6mm (31541) Titanium (91591) |
|  | 3x8mm (25201) Titanium (91592) |
|  | 3x10mm (25202) Titanium (91593) |
|  | 3x12mm (25203) Titanium (91594) |
|  | 3x14mm (89208) Titanium (91595) |




BUTTON HEAD SCREWS (BHCS)

| | |
|--|------------------------------------|
|  | 2x3mm (31509) |
|  | 2.6x10mm, Self Tapping (41088) |
|  | 3x4mm (91158) |
|  | 3x5mm (31530) |
|  | 3x6mm (31531) Titanium (91580) |
|  | 3x8mm (31532) Titanium (91581) |
|  | 3x10mm (25211) Titanium (91582) |
|  | 3x12mm (89202) Titanium (91583) |
|  | 3x14mm (25187) Titanium (91584) |
|  | 3x16mm (89203) Titanium (91585) |
|  | 3x18mm (2308) |
|  | 3x20mm (25188) Titanium (91587) |
|  | 3x26mm (89205) |
|  | 3x28mm (41078) |



SOCKET HEAD SCREWS (SHCS)

| | |
|---|----------------------------------|
|  | 2x5mm (31511) Aluminum (8566) |
|  | 2x8mm (7187) |
|  | 2.5x6mm (41079) |
|  | 2.5x10mm (41087) |
|  | 2.5x14mm (71032) |
|  | 2.5x16mm (41086) |
|  | 3x6mm (41089) |



SET SCREWS

| | |
|---|---------------|
|  | 3x3mm (25225) |
|  | 3x16mm (4689) |
|  | 4x16mm (4677) |



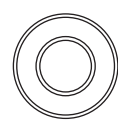
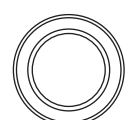
PIVOT BALLS

| | |
|---|---------------------------------------|
|  | Pivot Ball, Short (42041) |
|  | Pivot Ball, Long, Upper Shock (42041) |




LOCK NUTS

| | |
|---|---|
|  | M3 Locknuts (25215) Aluminum (31550) |
|  | M4 Locknut W/Flange (25391) |




BEARINGS

| | |
|---|--------------------|
|  | 4x8x3mm (91568) |
|  | 5x10x4mm (91560) |
|  | 7x14x3.5mm (91474) |
|  | 10x15x4mm (91563) |

SHIMS AND WASHERS

| | |
|---|---------------------------|
|  | .250x.125x.015 (7337) |
|  | Servo Horn Spacer (42041) |
|  | Drive Gear Shim (42027) |

MISC. SCREWS

| | |
|---|---------------------------------|
|  | Shoulder Screw 3x4x10mm (42070) |
|  | Screw Pin (42022) |
|  | Pin 2x11mm (42019) |

LINKS







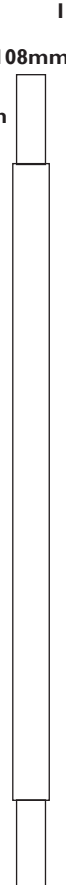

| | |
|---|-------|
|  | 32mm |
|  | 73mm |
|  | 83mm |
|  | 93mm |
|  | 96mm |
|  | 100mm |
|  | 108mm |
|  | 114mm |

TABLE OF CONTENTS

3/16/2020

| | | | |
|-----------|-------------------------|-----------|------------------------|
| 01 | COVER | 12 | LINKS BUILD |
| 02 | INTRODUCTION | 12 | REAR DRIVESHAFT BUILD |
| 03 | 1:1 HARDWARE "FOLD OUT" | 13 | SHOCKS BUILD |
| 04 | TABLE OF CONTENTS | 14 | WHEELS/TIRES BUILD |
| 05 | STEERING BUILD | 15 | BODY BUILD |
| 06 | FRONT GEARBOX BUILD | 18 | DECALS |
| 07 | FRONT SUSPENSION BUILD | 19 | CATALOG |
| 08 | GEARBOX BUILD | 28 | OPTIONAL GEARBOX BUILD |
| 09 | CHASSIS BUILD | 29 | TRAIL TIPS |
| 11 | REAR AXLE BUILD | 30 | BACK COVER |

USING THIS MANUAL



This symbol indicates a special note or instruction in the manual.

x2

This symbol indicates the number of the same part that is required.



This symbol indicates the order within a step to assemble parts.



This symbol indicates a Trail Tip.



This symbol indicates where Black Grease should be applied.



This symbol indicates where Green Slime can be applied. *not included



This symbol indicates where Thread Lock Adhesive should be applied. *not included



This symbol indicates where Shock Fluid should be applied.



There is a 1:1 hardware foldout page in the front of the manual. To check the size of a part, line up your hardware with the correct drawing until you find the exact size. Each part in the foldout has a number assigned to it for ordering replacement parts.

GATE 01 STEERING BUILD

42040 x2
Rod Ends, curved



Servo Link

42214 x1
IFS Link, 32mm



Steering Link

42040 x1
Rod Ends, straight



42214 x1
IFS Link, 32mm

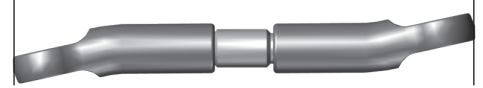


42040 x1
Rod Ends, curved

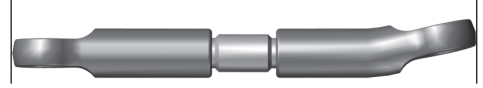


Build Left and Right Steering Links

60.65mm



61.50mm



GATE 02 STEERING BUILD

42217 x2
Steering Post, IFS

42201 x1
Bellcrank, IFS

x4 **91568**
4x8x3mm Bearing

x2 **42041**
Pivot Ball, Short

x1 **42201**
Bellcrank, IFS

42217 x1
Steering Rack, IFS

x2 **25215**
Locknut, M3

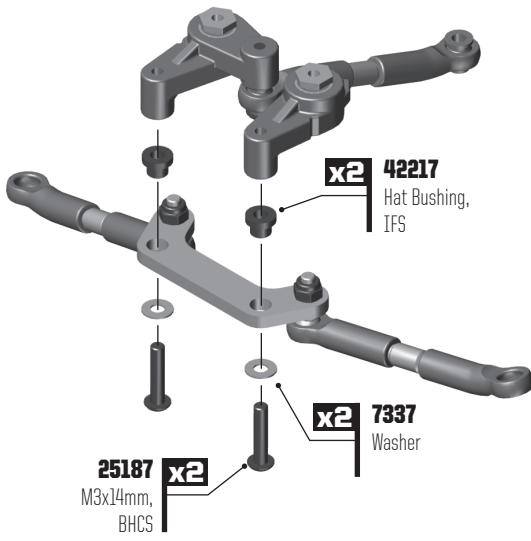
x2 **42216**
M5.8x8mm, Ballstud, SILVER

31531 x2
M3x8mm, BHCS

89203 x1
M3x16mm, BHCS

THREAD LOCK #1596 NOT INCLUDED

GATE 03 STEERING BUILD



x2 **42217**
Hat Bushing, IFS

x2 **7337**
Washer

25187 x2
M3x14mm, BHCS

x1 **42203**
Servo Mount, IFS

SERVO x1
Not Included

7337 x4
Washer

42215 x1
Servo Horn

25211 x5
M3x10mm, BHCS

x2 **31541**
M3x6mm FHCS

Servo Horn



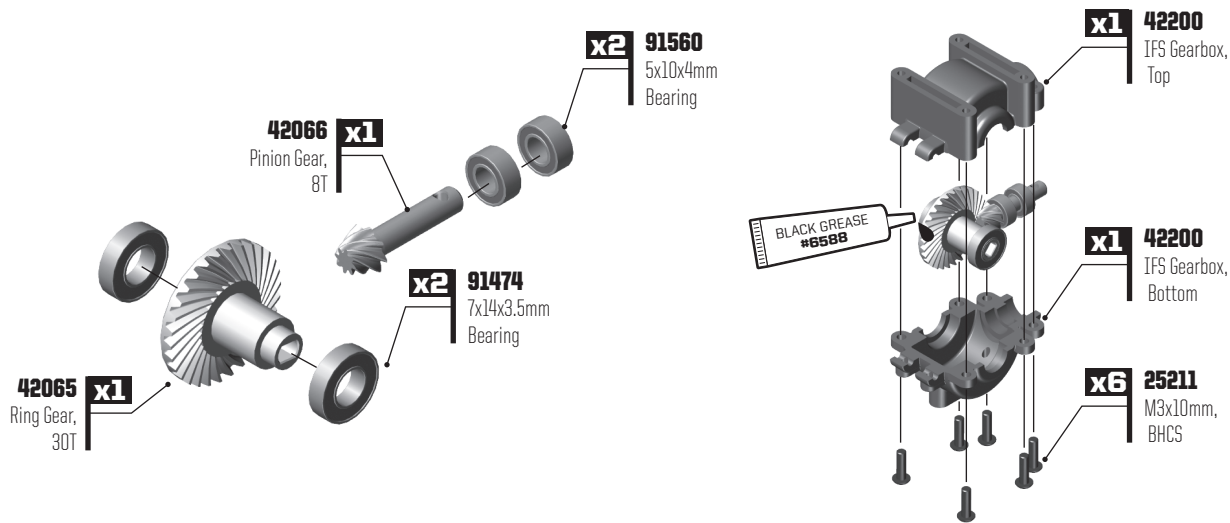
NOTE: Hole marked is for IFS Conversion use. Outer hole is for solid axle use.

NOTE: Install #89202 into servo horn

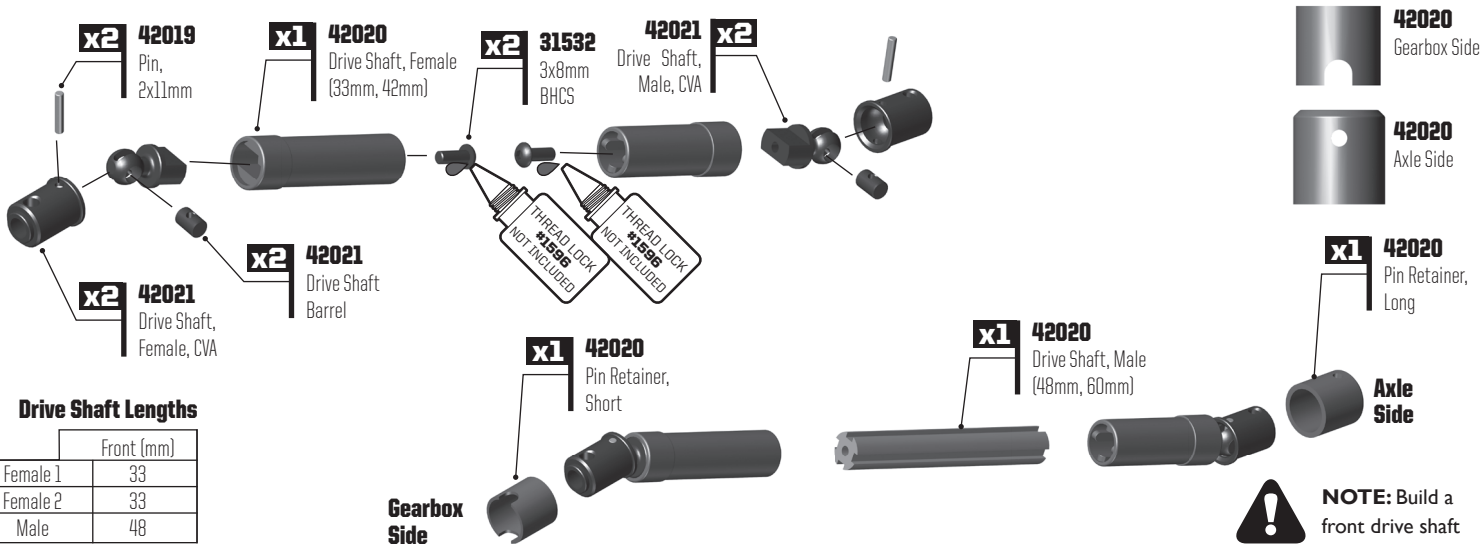
THREAD LOCK #1596 NOT INCLUDED

x1 **89202**
M3x12mm, BHCS

GATE 01 FRONT GEARBOX BUILD



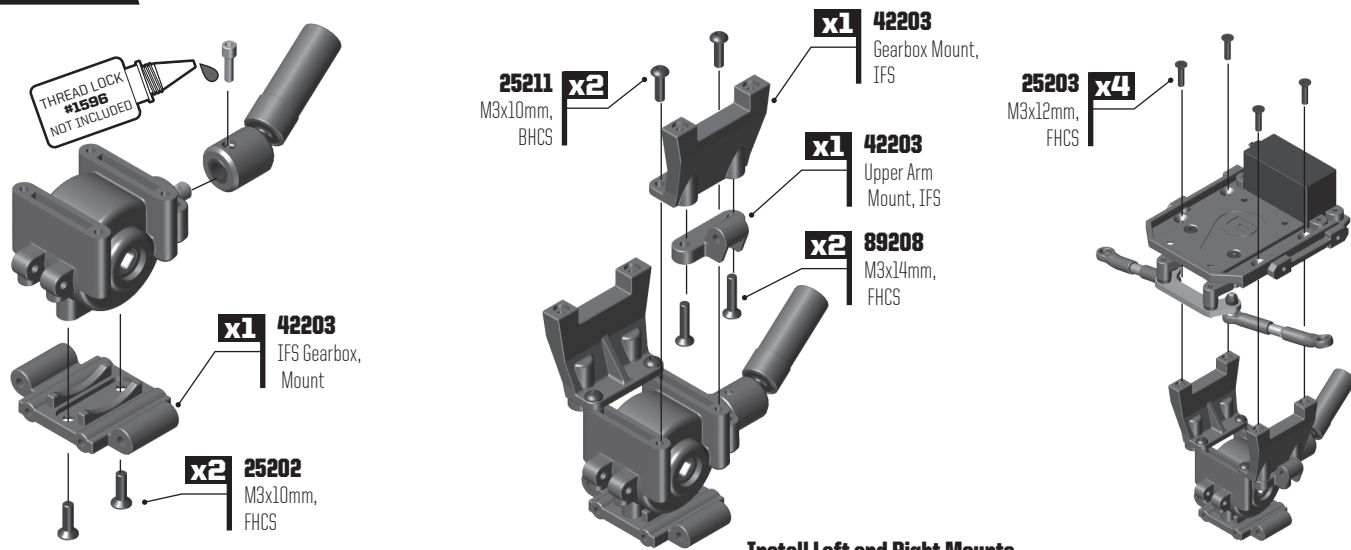
GATE 02 FRONT GEARBOX BUILD



Drive Shaft Lengths

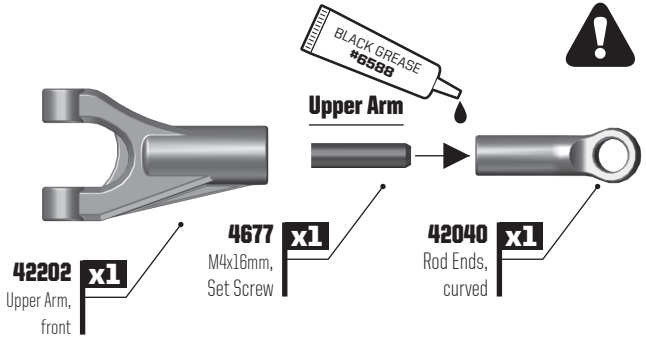
| | Front (mm) |
|----------|------------|
| Female 1 | 33 |
| Female 2 | 33 |
| Male | 48 |

GATE 03 FRONT GEARBOX BUILD

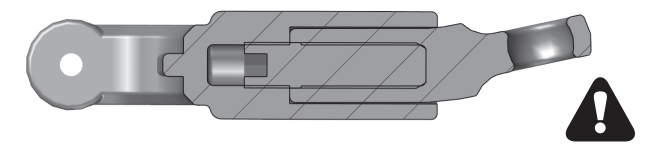


Install Left and Right Mounts

GATE 01 FRONT SUSPENSION BUILD

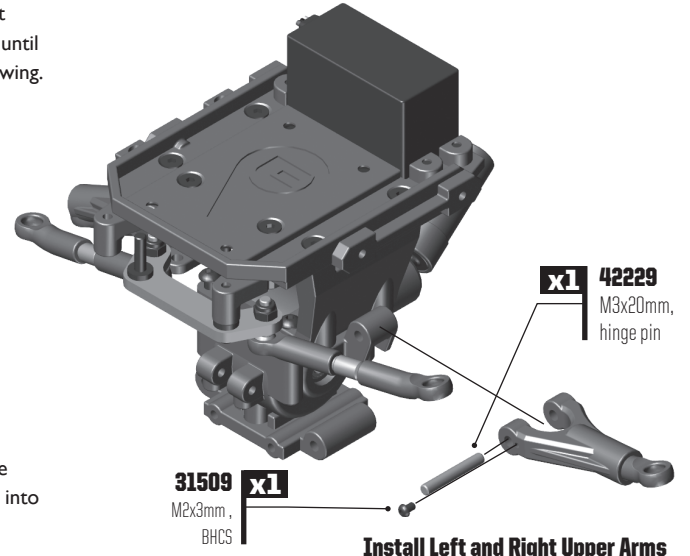


NOTE: Thread set screw into ballcup until 4mm thread is showing.



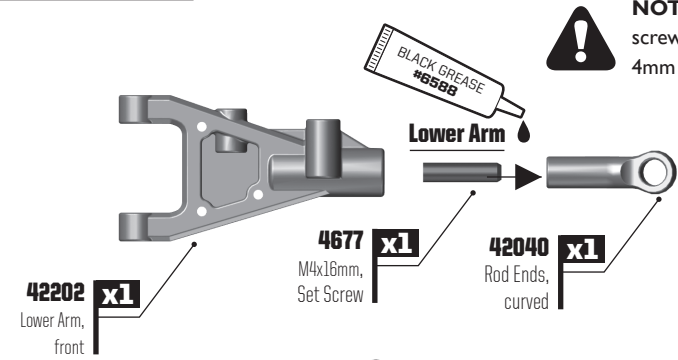
NOTE: Thread the exposed set screw into the arm until snug!

Build Left and Right Upper Arms

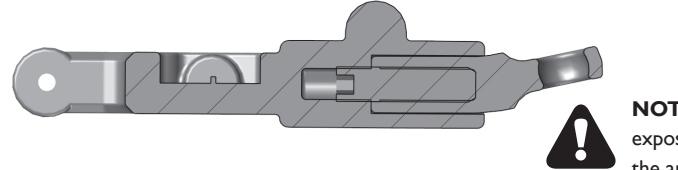


Install Left and Right Upper Arms

GATE 02 FRONT SUSPENSION BUILD

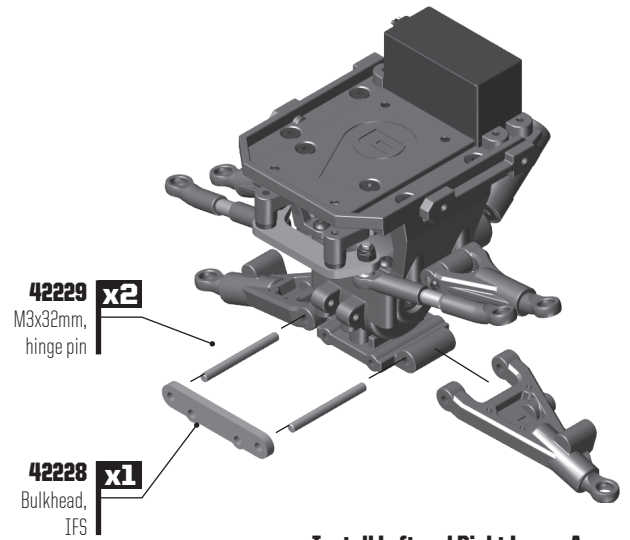


NOTE: Thread set screw into ballcup until 4mm thread is showing.



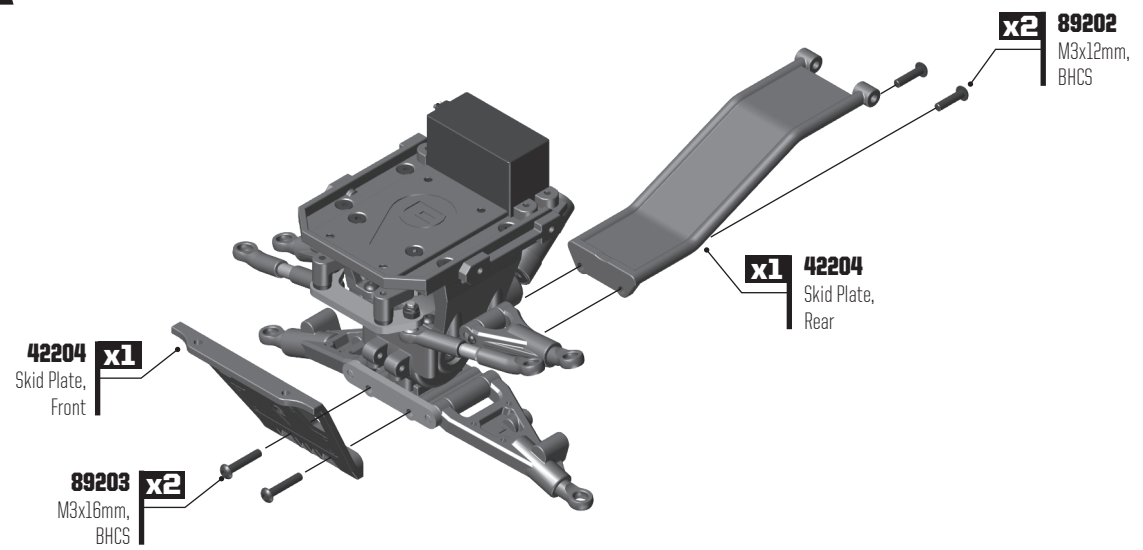
NOTE: Thread the exposed set screw into the arm until snug!

Build Left and Right Lower Arms



Install Left and Right Lower Arms

GATE 03 FRONT SUSPENSION BUILD



42204 x1
Skid Plate, Front

89203 x2
M3x16mm, BHCS

x1 42204
Skid Plate, Rear

x2 89202
M3x12mm, BHCS

GATE 04 FRONT SUSPENSION BUILD

Install Left and Right Steering Blocks

Build Left and Right Steering Blocks

- 25211** x2 M3x10mm, BHCS
- 42218** x1 Steering Plate, IFS
- 91560** x1 5x10x4mm, Bearing
- 42062** x1 Steering Block
- 42216** x1 M5.8x8mm, Ballstud, Silver
- 25215** x3 M3 Locknut, Black
- 42216** x2 M5.8x8mm, Shoulder Ballstud
- 91563** x1 10x15x4mm Bearing

Install Left and Right Steering Blocks

- 42226** x2 Outdrive, IFS
- 42227** x1 Universal, 55mm
- 42019** x1 Wheel Hex Pin, 2x11mm
- 42069** x1 Wheel Hex, 6mm

GATE 01 GEARBOX BUILD

BLACK GREASE #6588

- 42028** x1 Stealth X Gearbox Drive Gear, 53T
- 42027** x1 Stealth X Gearbox Outdrive, Long
- 31350** x4 2.5x10mm FHCS
- 42027** x1 Stealth X Gearbox Outdrive, Short
- 42027** x1 Stealth X Gearbox Drive Gear Shim
- 91563** x2 10x15x4mm Bearing
- 42028** x1 Stealth X Gearbox Drive Gear, 52T
- 41077** x4 2.5x14mm FHCS

NOTE: Make sure the 10x15x4mm bearing is completely seated in the short outdrive

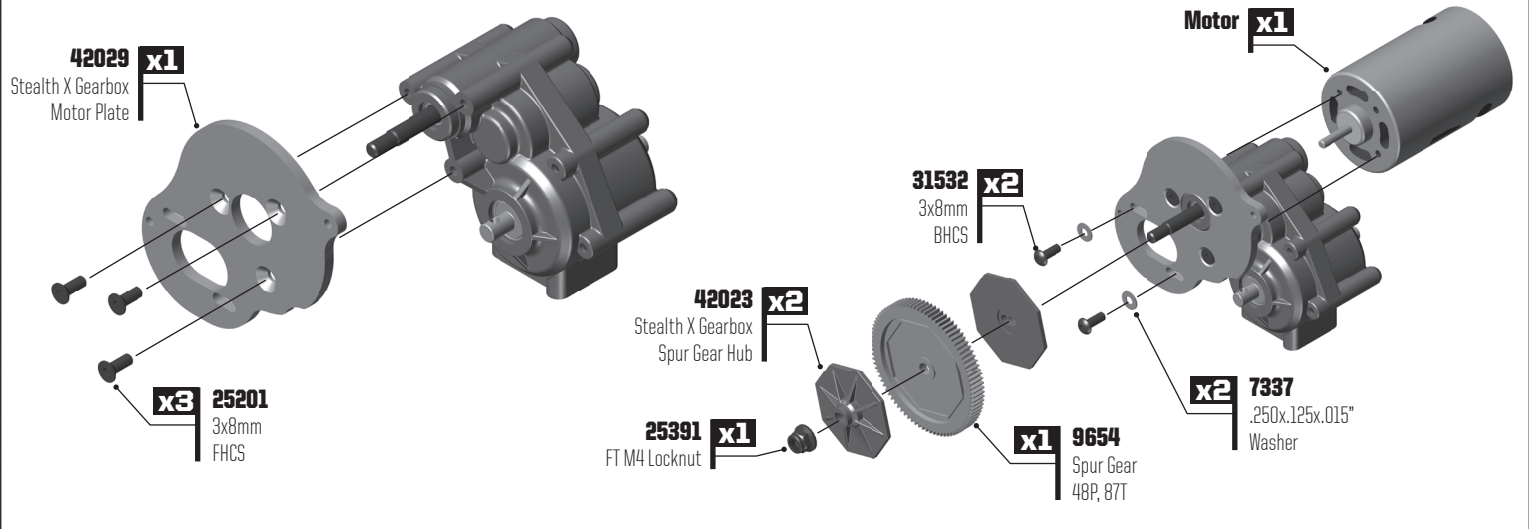
GATE 02 GEARBOX BUILD

NOTE: There are optional gearbox builds on page 28

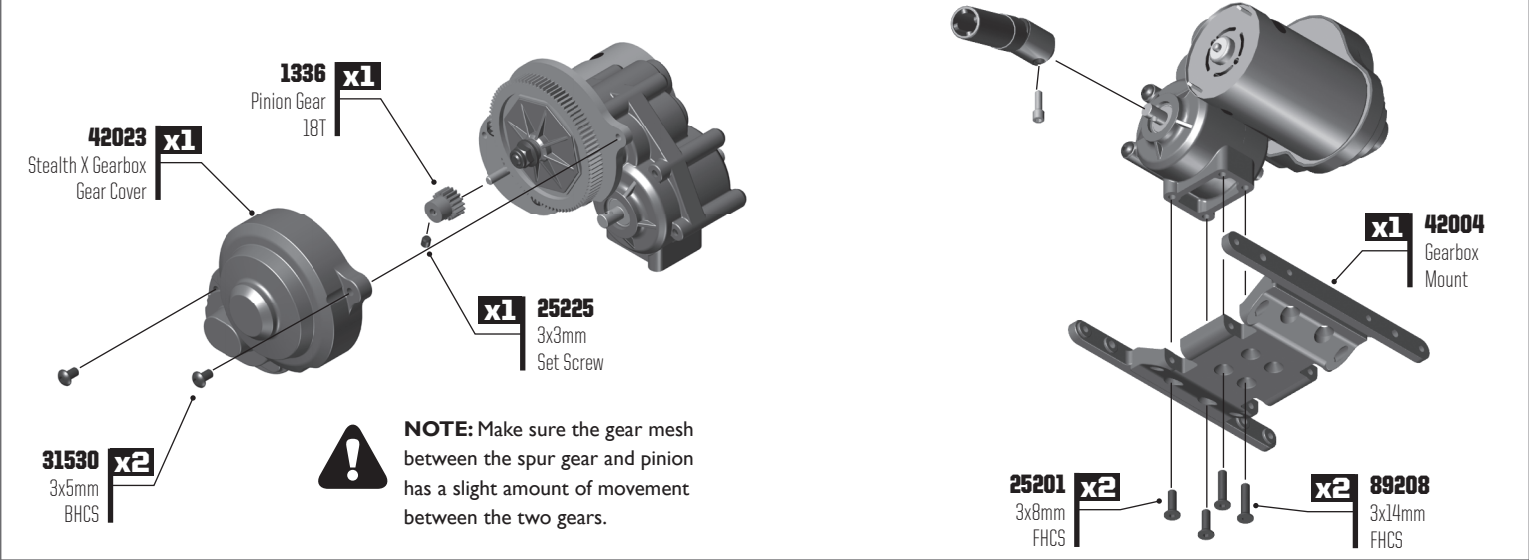
- 42025** x2 Idler Shaft Pin 2x9mm
- 42025** x1 Stealth X Gearbox Idler Shaft
- 42026** x1 Stealth X Gearbox Idler Gear, 28T
- 42030** x1 Stealth X Gearbox Top Shaft, Rear
- 91560** x4 5x10x4mm Bearing
- 41078** x5 3x28mm BHCS
- 42023** x1 Stealth X Gearbox Case
- 91563** x2 10x15x4mm Bearing
- 42023** x1 Stealth X Gearbox Case

Over Drive Option I (Stock)

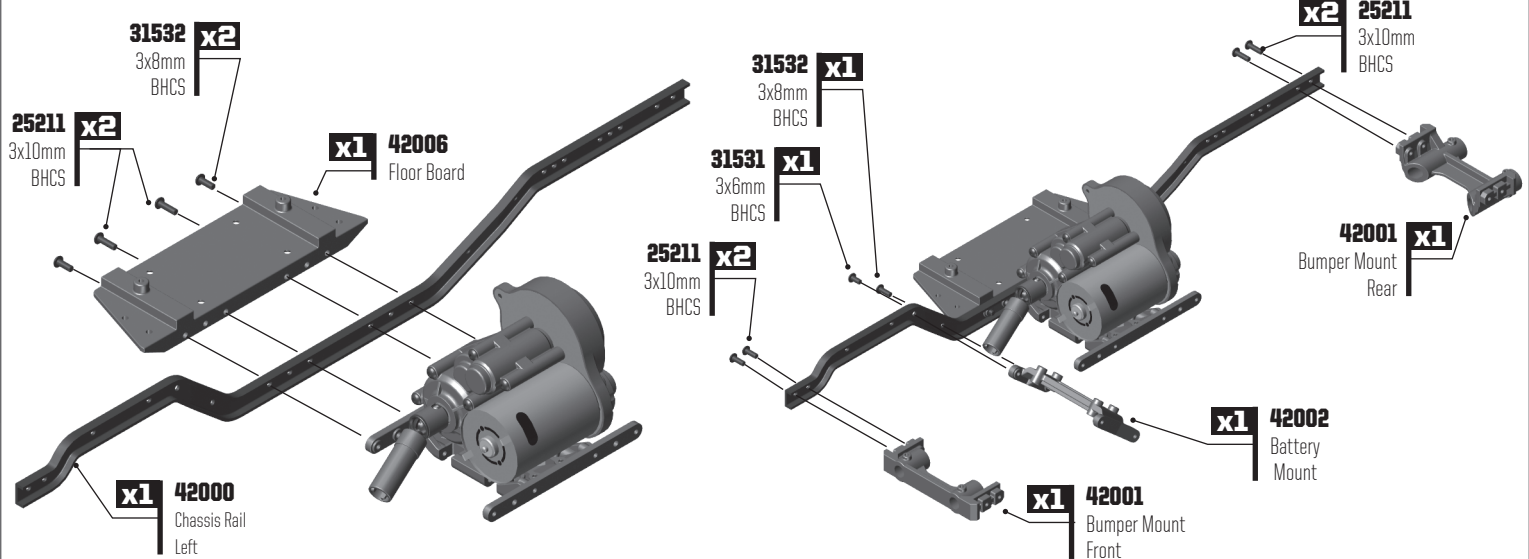
GATE 03 GEARBOX BUILD



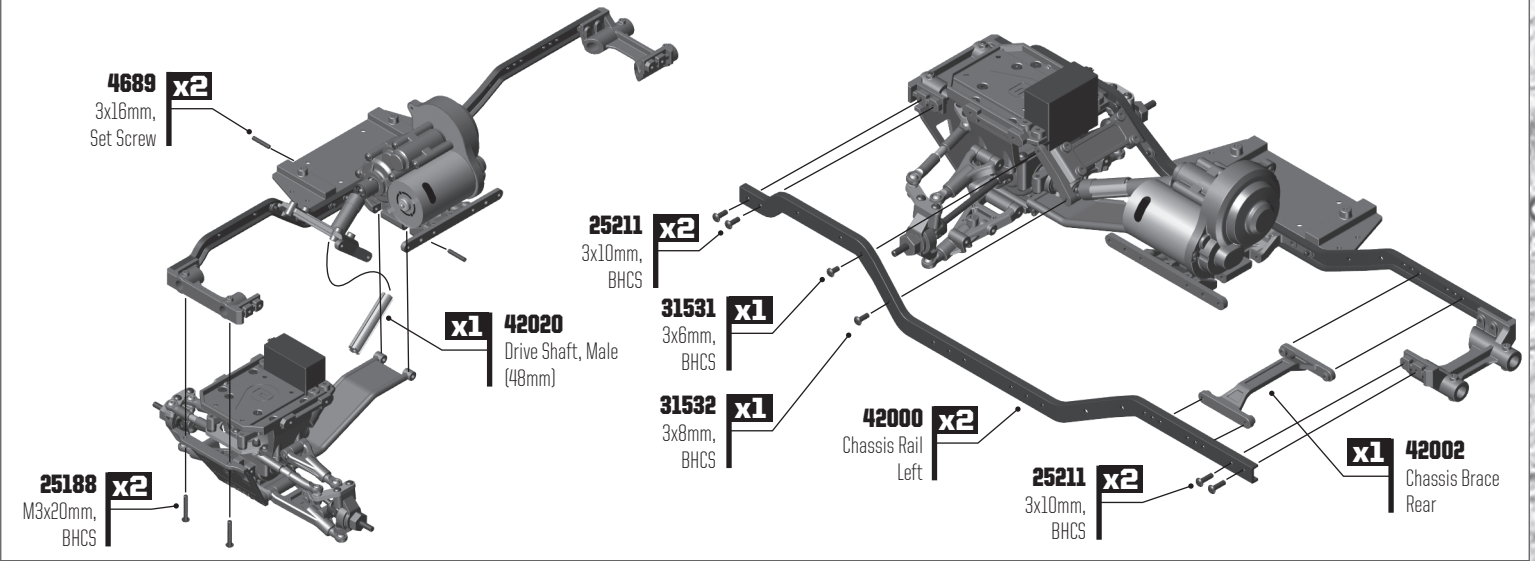
GATE 04 GEARBOX BUILD



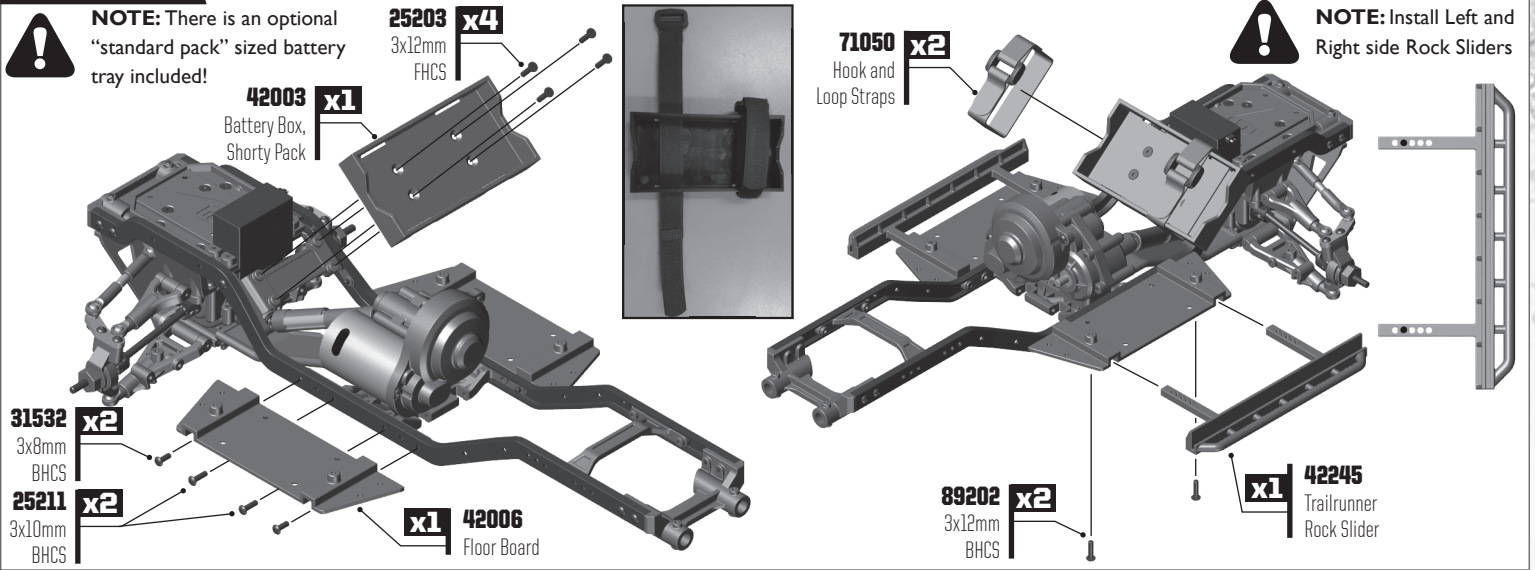
GATE 01 CHASSIS BUILD



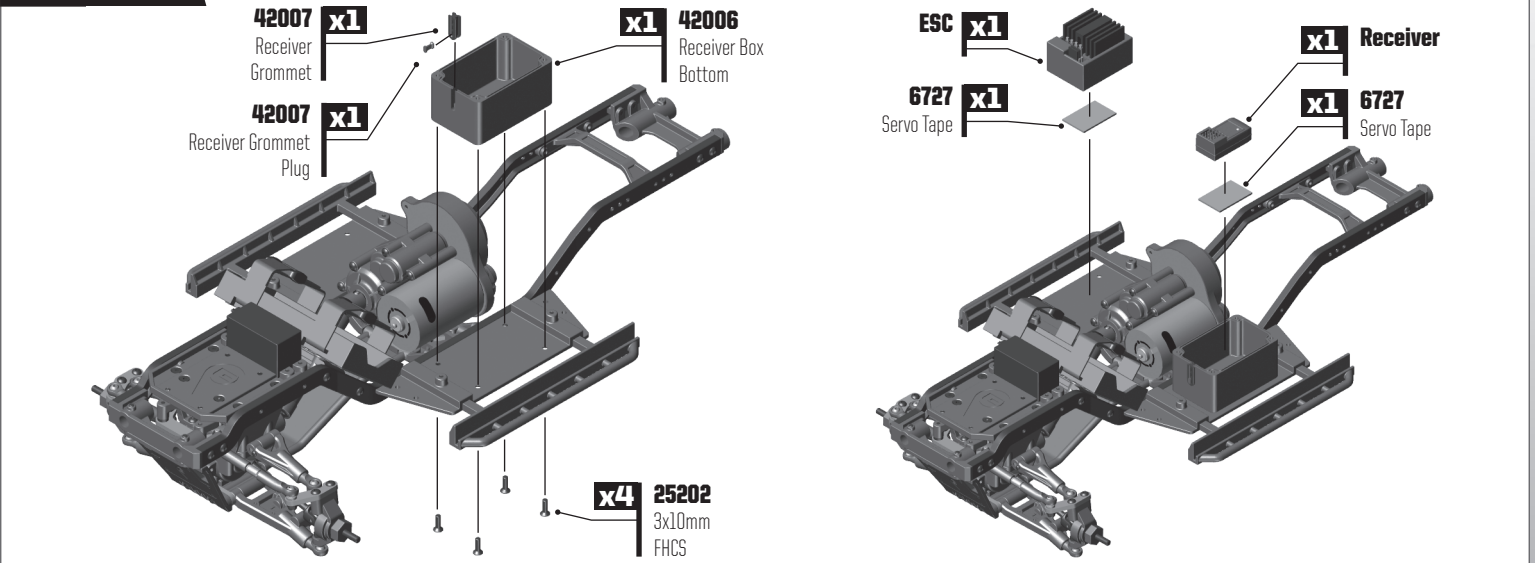
GATE 02 CHASSIS BUILD



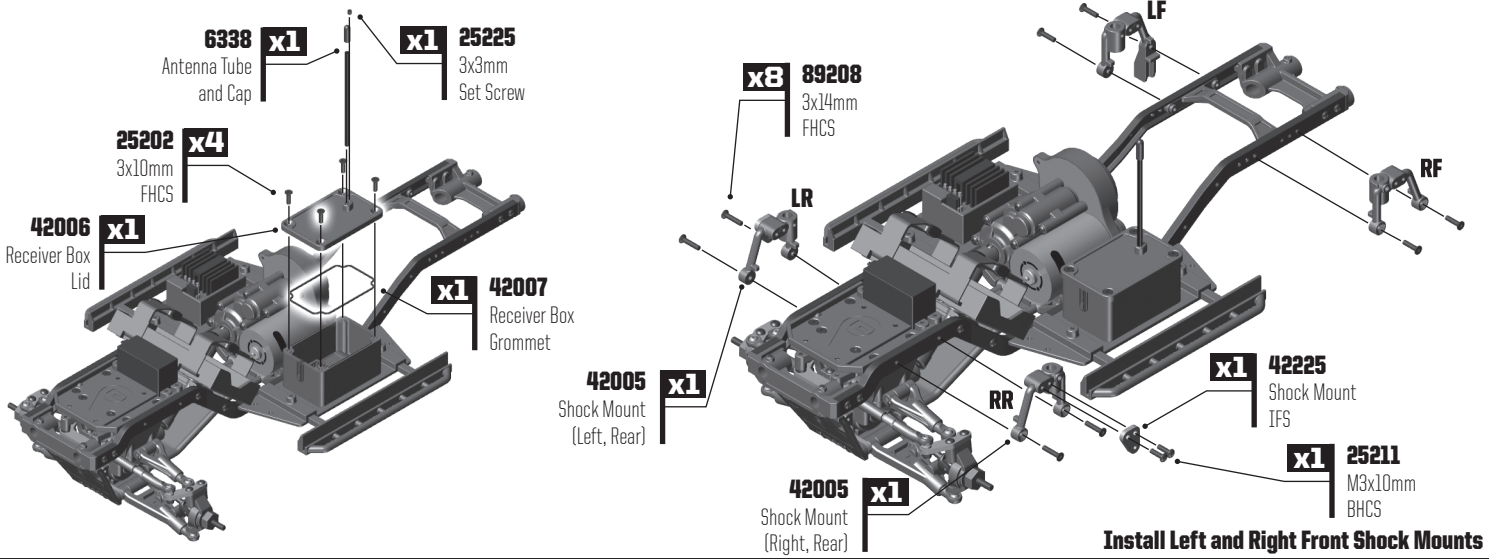
GATE 03 CHASSIS BUILD



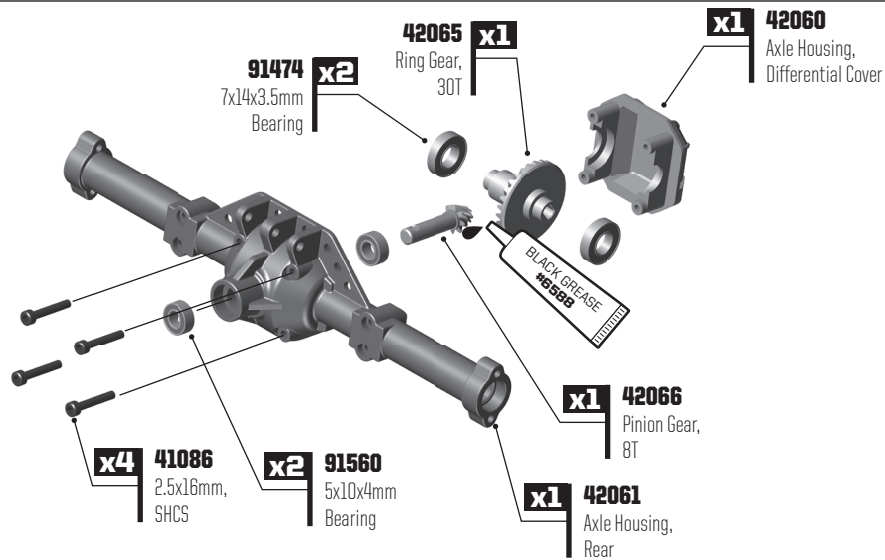
GATE 04 CHASSIS BUILD



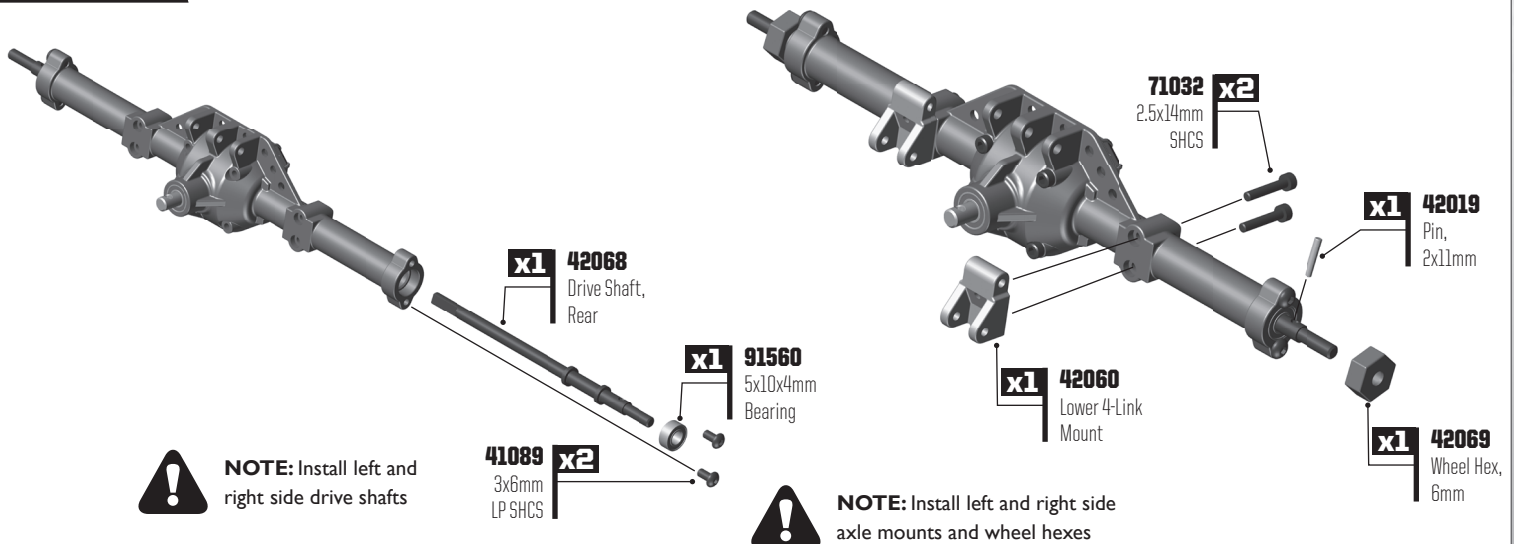
GATE 05 CHASSIS BUILD



GATE 01 REAR AXLE BUILD



GATE 02 REAR AXLE BUILD



GATE 01 LINKS BUILD

NOTE: Build and install two rear upper links

x2 42041 Pivot Ball, Short

BLACK GREASE #6588

x1 42044 Link, 108mm

BLACK GREASE #6588

x2 42040 Rod End, Curved

NOTE: Check the rod end angles before installation

137.00mm

x1 25188 3x20mm, BHCS

x1 41078 3x28mm BHCS

x2 25215 M3 Locknut, Black

GATE 02 LINKS BUILD

NOTE: Build and install two rear lower links

x2 42041 Pivot Ball, Short

BLACK GREASE #6588

x1 42044 Link, 114mm

BLACK GREASE #6588

x2 42040 Rod End, Curved

NOTE: Check the rod end angles before installation

143.00mm

x1 4689 3x16mm, Set Screw

GATE 01 REAR DRIVESHAFT BUILD

NOTE: Build a rear drive shaft

x2 42019 Pin, 2x11mm

x1 42020 Drive Shaft, Female (33mm, 42mm)

x2 31532 3x8mm BHCS

42021 Drive Shaft, Male, CVA

x2 42021 Drive Shaft Barrel

THREAD LOCK #1596 NOT INCLUDED

THREAD LOCK #1596 NOT INCLUDED

NOTE: Build a rear drive shaft

x1 42020 Pin Retainer, Short

x1 42020 Drive Shaft, Male (60mm)

NOTE: Install the rear drive shaft

x1 42020 Pin Retainer, Long

Drive Shaft Lengths

| | Rear (mm) |
|----------|-----------|
| Female 1 | 33 |
| Female 2 | 42 |
| Male | 60 |

Gearbox Side

42020 Gearbox Side

42020 Axle Side

Axle Side

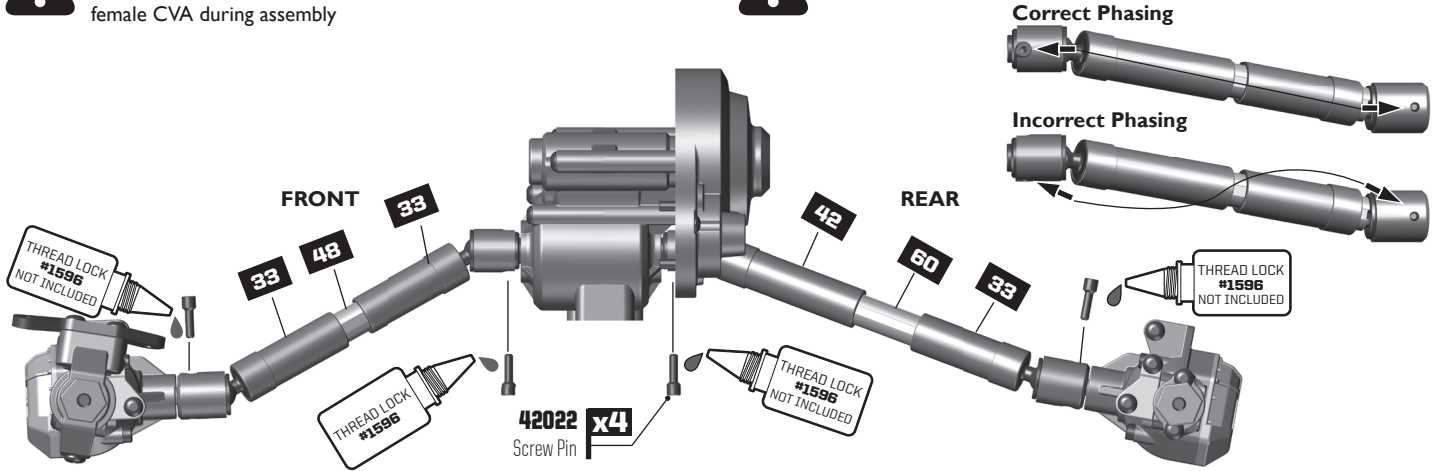
GATE 01 REAR DRIVESHAFT BUILD



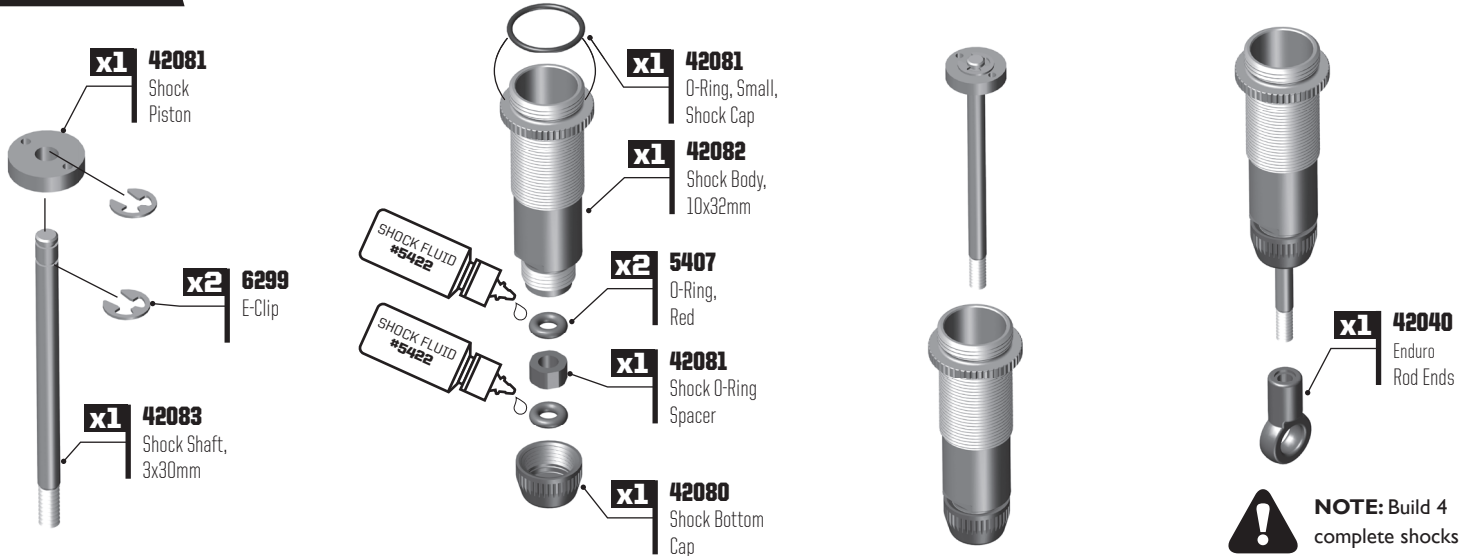
NOTE: Make sure the screw pins are aligned with each female CVA during assembly



NOTE: Make sure the phasing of the drive shafts is correct when installing them to the axles and gearbox.



GATE 01 SHOCK BUILD



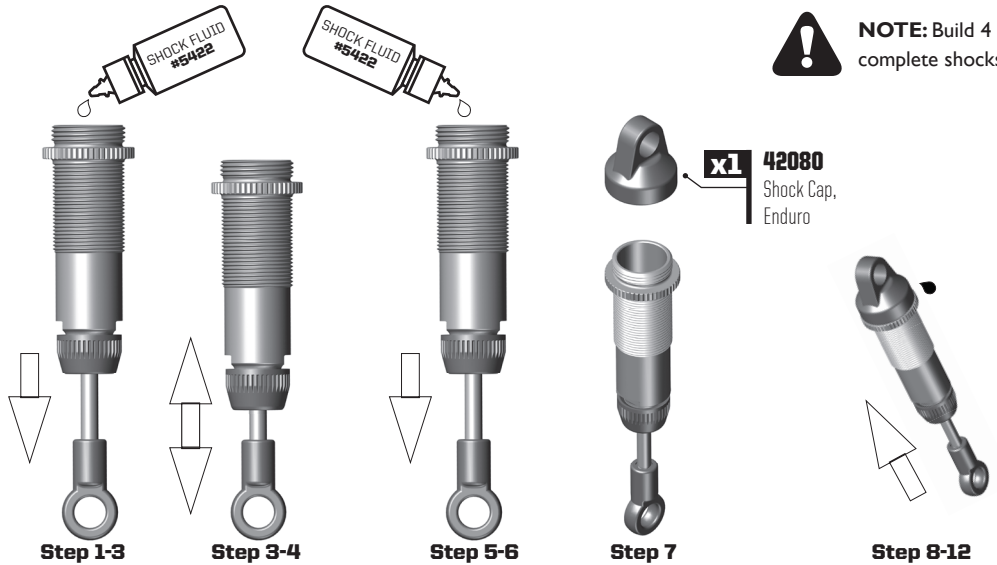
GATE 02 SHOCK BUILD

Shock Bleeding Steps:

1. Pull shock shaft down.
2. Fill shock body 3/4 full with silicone fluid.
3. Slowly move the shock shaft up and down to remove air from under piston.
4. Wait for bubbles to come to surface.
5. Fill shock body to top with silicone fluid.
6. Place a drop of oil in the cap and on cap threads.
7. Install cap and tighten completely.
8. Slowly compress shaft all the way to the top. If there is pressure at the top of the stroke, there is too much oil or air. You must bleed it out.
9. Slowly pull shaft out.
10. Unscrew the cap 3/4 turn and tilt the shock at a slight angle.
11. Slowly compress the shaft to push out excess oil and air. You should see bubbles coming out from under the cap.
12. With the shaft compressed, tighten the cap and re-check for pressure at the top of the stroke. If there is still pressure, repeat steps 9 thru 11.



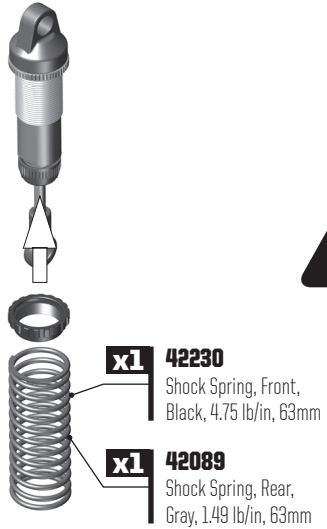
NOTE: Build 4 complete shocks



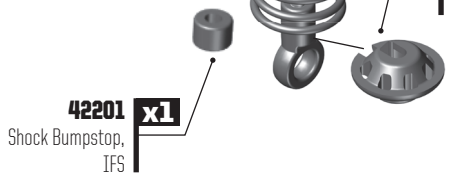
GATE 03 SHOCK BUILD



NOTE: Seat O-Ring into the groove on the inside of the shock collar

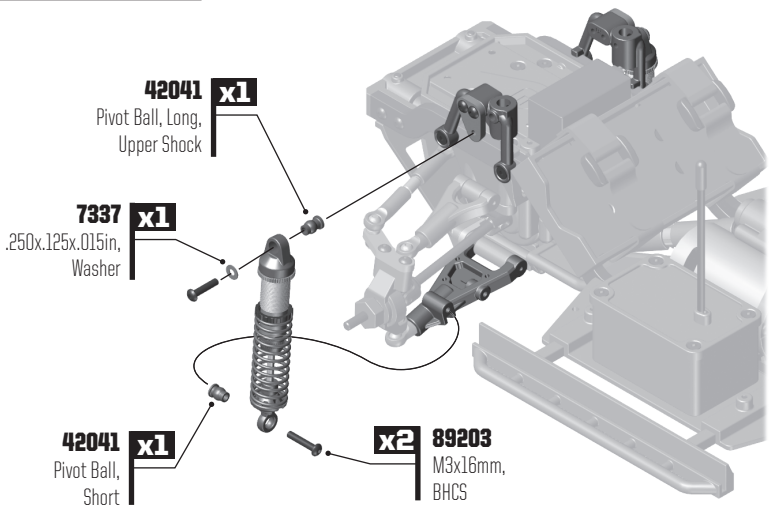


NOTE: Optional Bump Stop Limiter for the front shocks.

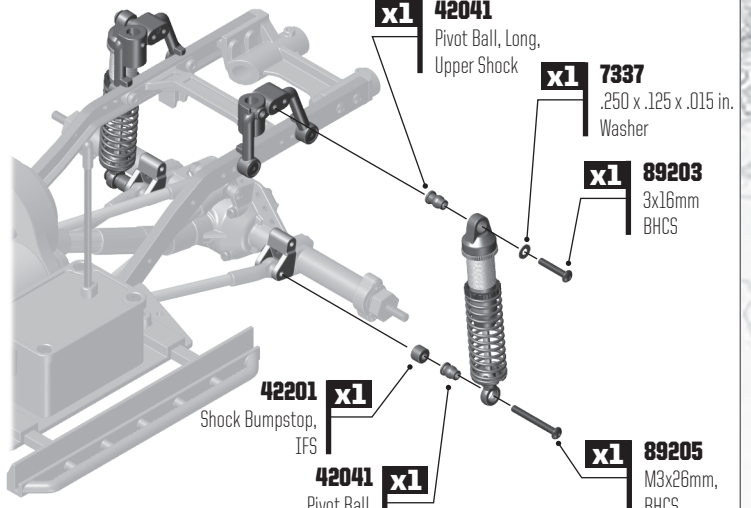


NOTE: Build 4 complete shocks

GATE 04 SHOCK BUILD

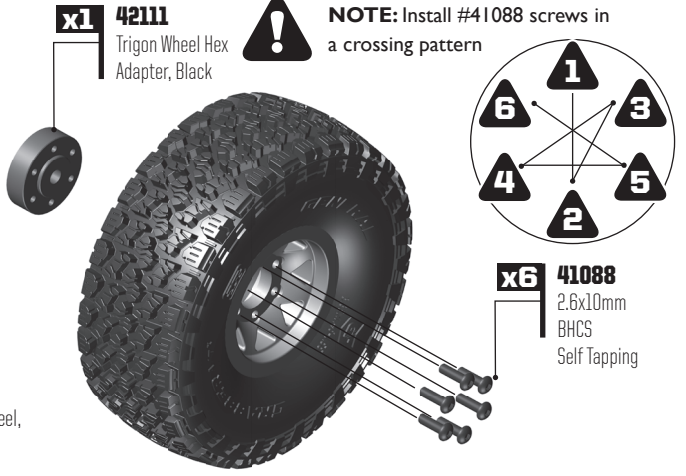
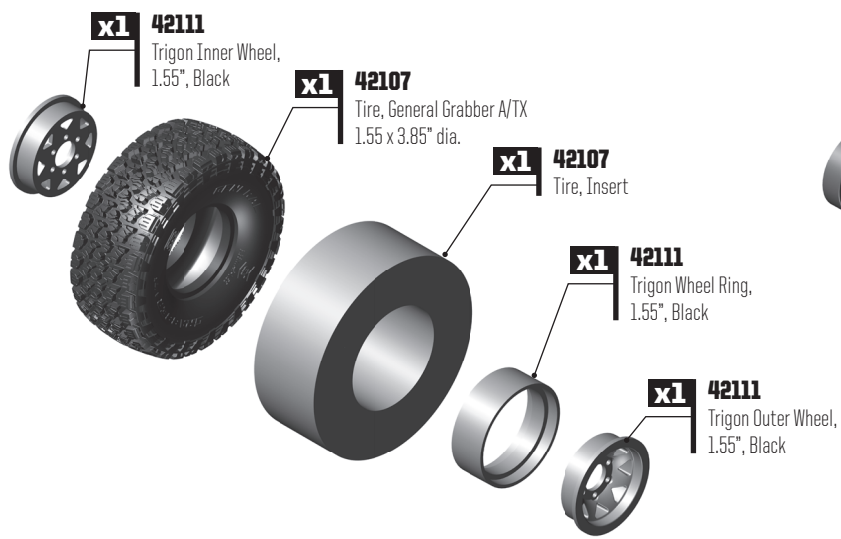


Install Left and Right Front Shocks



Install Left and Right Rear Shocks

GATE 01 WHEELS / TIRES BUILD



NOTE: Install #41088 screws in a crossing pattern



NOTE: Build 4 wheels/tires

GATE 02 WHEELS / TIRES BUILD

2308 x2 3x18mm, BHCS

x1 42247 Trailrunner Exhaust, Magnaflow

x1 25211 3x10mm BHCS

x2 25391 FT M4 Locknut, Blue

x2 42111 Trigon Wheel Nut Cap, Black

NOTE: Install 4 wheels/tires

GATE 01 BODY BUILD

NOTE: Install 2 front body mounts, 1 tall rear body mount

Front Post Rear Post

x2 42009 Body Mount, Short Pin

x1 42009 Body Mount, Long Pin

x4 42022 Screw Pin

GATE 02 BODY BUILD

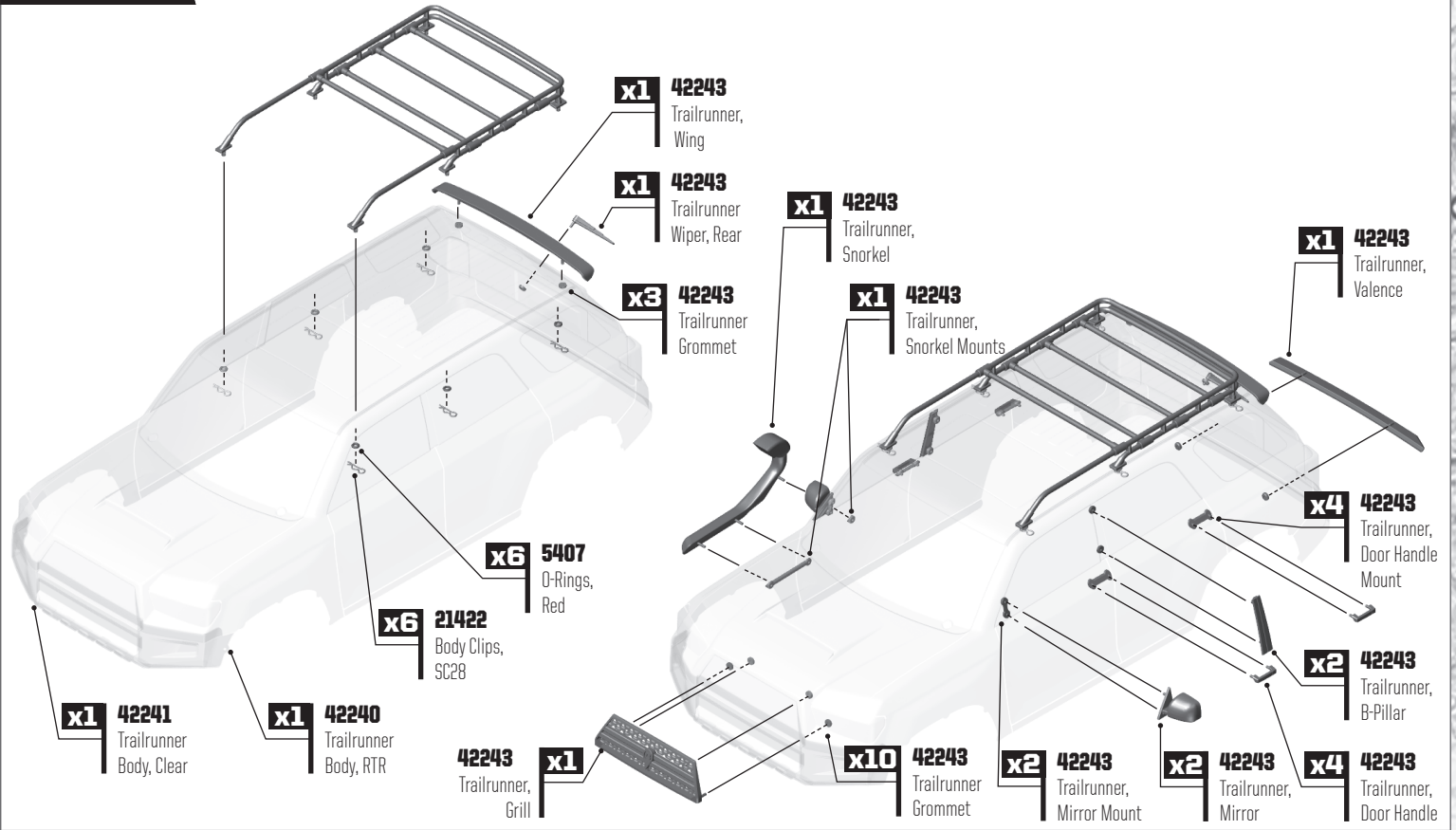
x1 42243 Trailrunner Rack, Right

x2 42243 Pin, 2x20mm

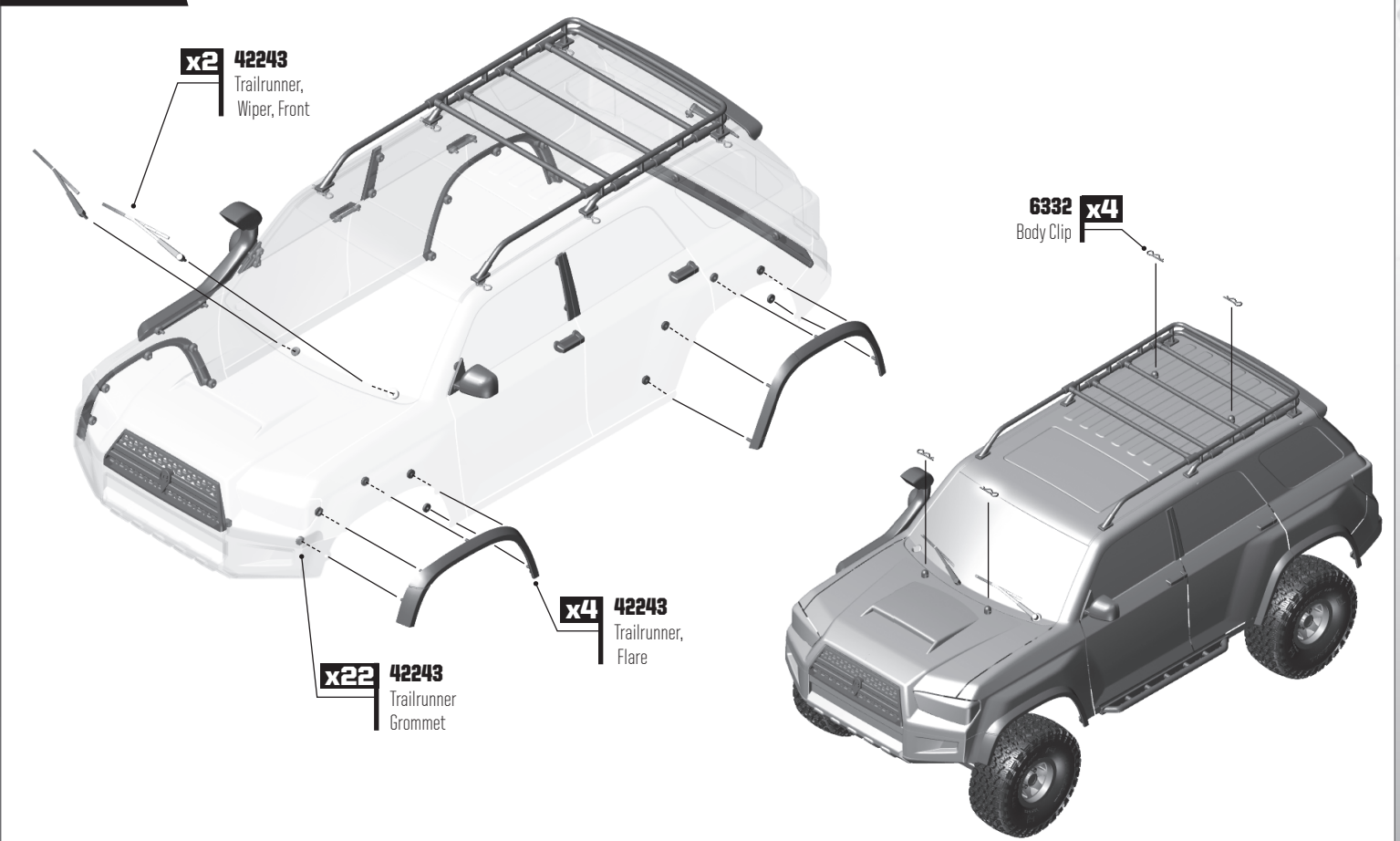
x1 42243 Trailrunner Rack, Left

x4 42243 Trailrunner Rack, Center Bar

GATE 03 BODY BUILD



GATE 04 BODY BUILD



GATE 05 BODY BUILD - OPTIONAL BUMPER SETUPS



- STANDARD** Full polycarbonate bumper (RTR)
- OPTION 1** Center plastic bumper, polycarbonate sides (Trim body on dotted lines shown)
- OPTION 2** Full plastic bumper (Remove polycarbonate bumper)

x1 42244 Trailrunner Bumper, Right

x4 25211 3x10mm BHCS

x1 42244 Trailrunner Bumper, Center

x2 31532 3x8mm, BHCS

x2 41079 2.5x6mm, SHCS

x1 42244 Trailrunner Fairlead

x2 42244 D-Ring, Molded

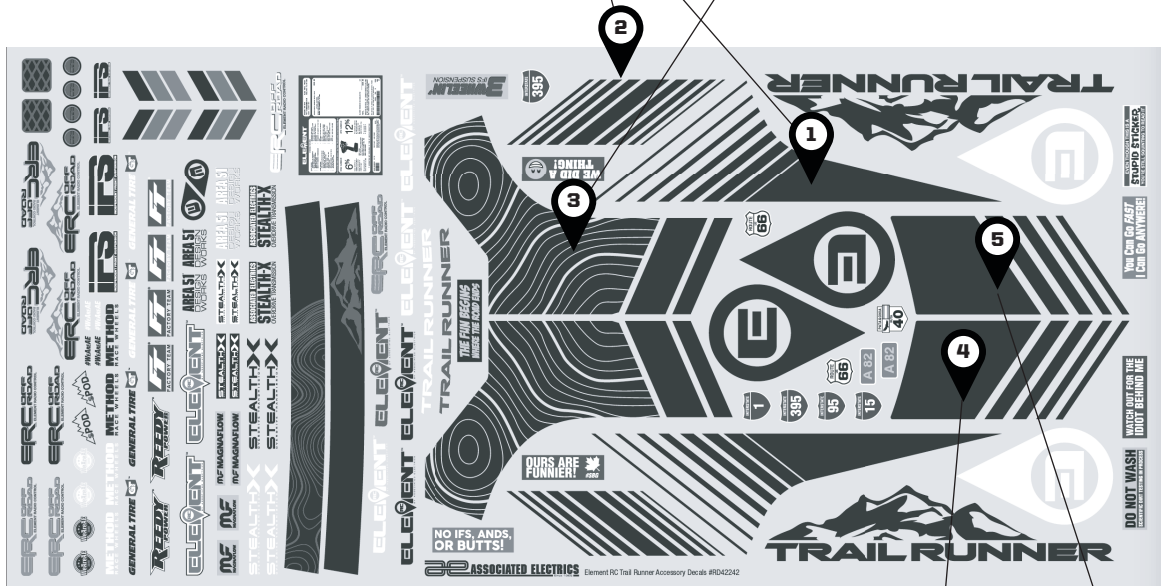
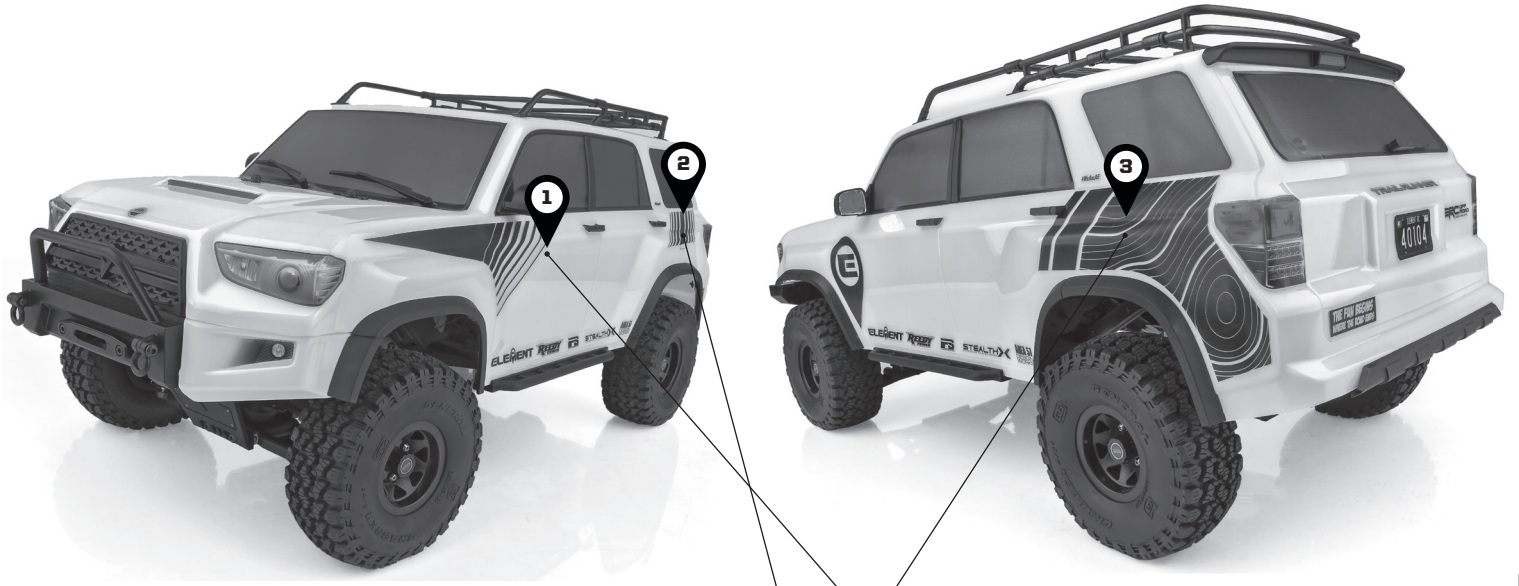
x2 91158 3x4mm BHCS

x1 42244 Trailrunner Bumper, Left

GATE 06 BODY BUILD - OPTIONAL BUMPER SETUPS

x2 25188 3x20mm BHCS

GATE 01 DECAL PLACEMENT

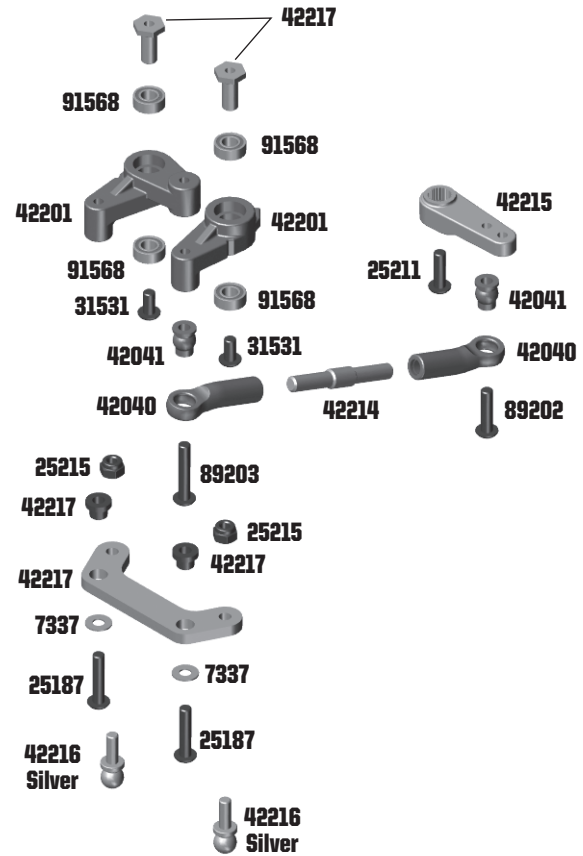


x1 42242
Trailrunner
Decal Sheet



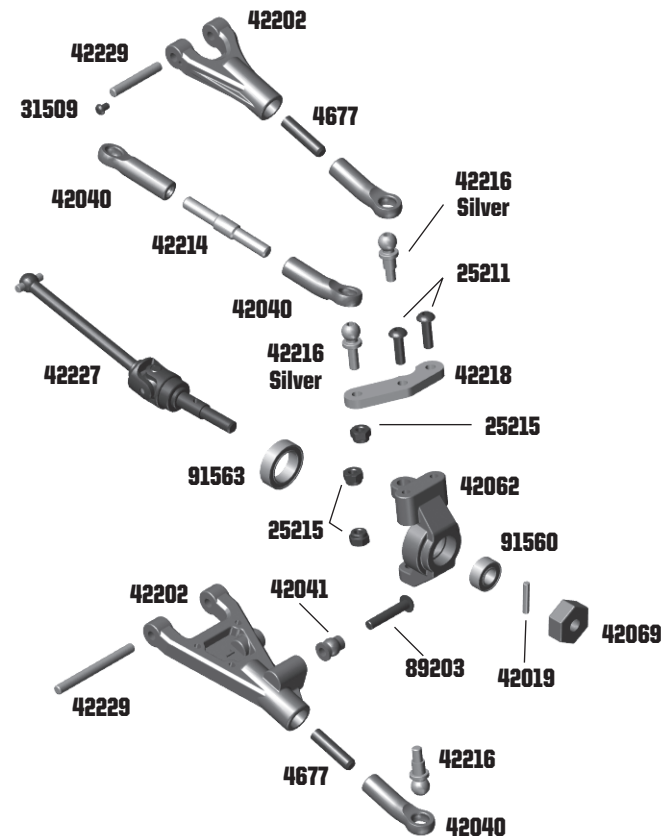
IFS Steering

| | | |
|-------|---------------------------------|----|
| 7337 | Washers, .250 x .125 x .015 | 4 |
| 25187 | M3x14mm BHCS | 10 |
| 25211 | M3x10mm BHCS | 10 |
| 25215 | Locknuts, M3 | 10 |
| 31531 | M3x6mm BHCS | 10 |
| 42040 | Enduro Rod Ends, Set | 1 |
| 42041 | Enduro Pivot Ball Set | 1 |
| 42201 | Enduro IFS Steering Bellcranks | 1 |
| 42214 | Enduro IFS Links | 3 |
| 42215 | Enduro IFS Servo Horn | 1 |
| 42216 | Enduro IFS Ballstuds, 5.8mm Set | 1 |
| 42217 | Enduro IFS Steering Rack | 1 |
| 89202 | M3x12mm BHCS | 10 |
| 89203 | M3x16mm BHCS | 10 |
| 91568 | M4x8x3mm Bearings | 4 |



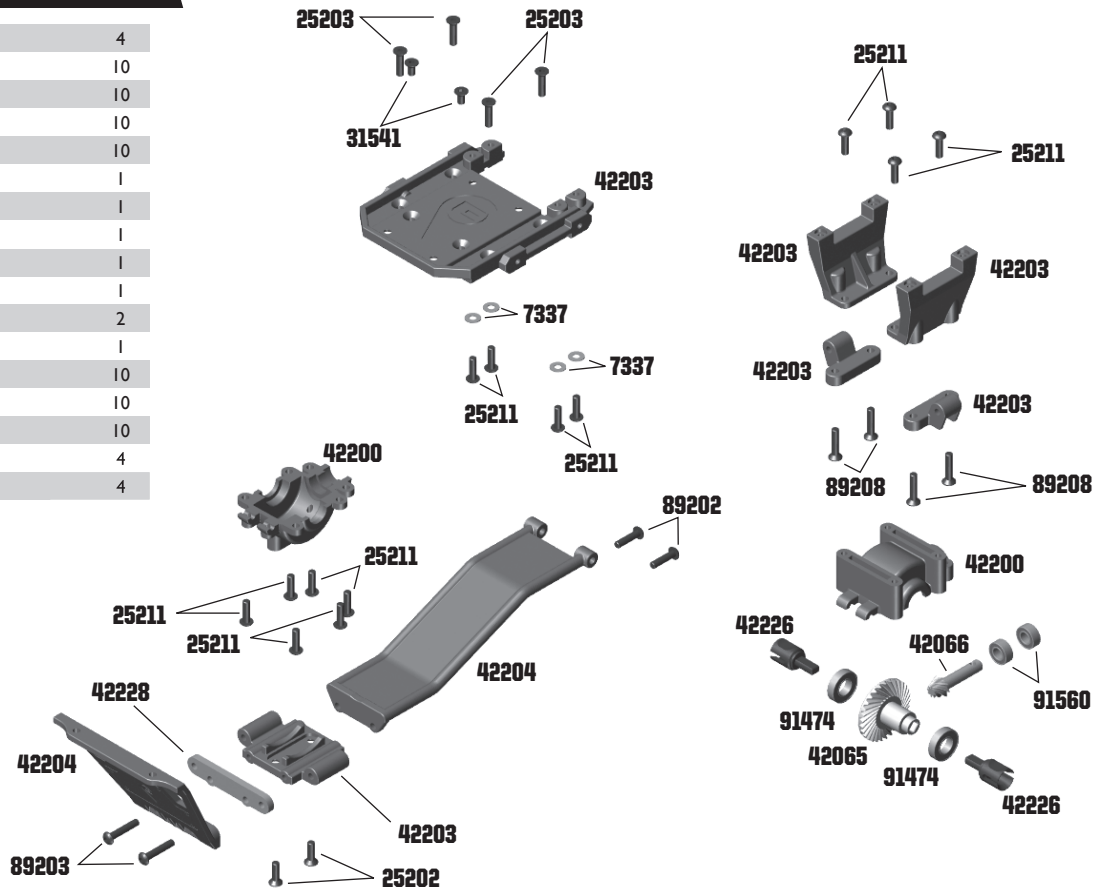
IFS Arms

| | | |
|-------|---------------------------------------|-------|
| 4677 | M4x16mm Set Screw | 10 |
| 25211 | M3x10mm BHCS | 10 |
| 25215 | Locknuts, M3 | 10 |
| 31509 | M2x3mm BHCS | 10 |
| 42019 | M2x11mm Driveshaft Pins | 10 |
| 42040 | Enduro Rod Ends, Set | 1 |
| 42041 | Enduro Pivot Ball Set | 1 |
| 42062 | Enduro Caster and Steering Blocks Set | 1 |
| 42069 | Enduro Wheel Hexes, 6mm | 4 |
| 42202 | Enduro IFS Suspension Arms Set | 1 |
| 42214 | Enduro IFS Links, 32mm | 3 |
| 42216 | Enduro IFS Ballstuds, 5.8mm Set | 1 |
| 42218 | Enduro IFS Steering Plates | 1 ea. |
| 42227 | Enduro IFS Universals 55mm | 2 |
| 42229 | Enduro IFS Hinge Pins Set | 1 |
| 89203 | M3x16mm BHCS | 10 |
| 91560 | FT M5x10x4mm Bearings | 4 |
| 91563 | FT M10x15x4mm Bearings | 4 |



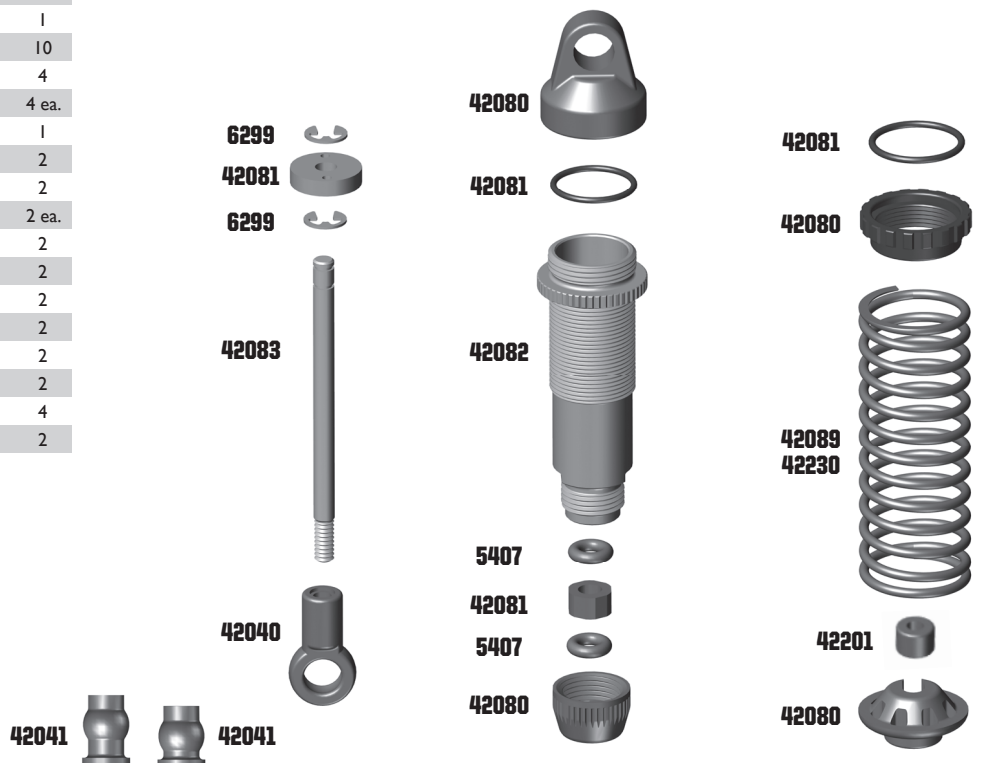
IFS Front End

| | | |
|-------|-------------------------------------|----|
| 7337 | Washers, .250 x .125 x .015 | 4 |
| 25202 | M3x10mm FHCS | 10 |
| 25203 | M3x12mm FHCS | 10 |
| 25211 | M3x10mm BHCS | 10 |
| 31541 | M3x6mm FHCS | 10 |
| 42065 | Enduro Ring Gear, 30T | 1 |
| 42066 | Enduro Pinion Gear, 8T | 1 |
| 42200 | Enduro IFS Gearbox | 1 |
| 42203 | Enduro IFS Gearbox and Servo Mounts | 1 |
| 42204 | Enduro IFS Skid Plates | 1 |
| 42226 | Enduro IFS Outdrives | 2 |
| 42228 | Enduro IFS Bulkhead Brace | 1 |
| 89202 | M3x12mm BHCS | 10 |
| 89203 | M3x16mm BHCS | 10 |
| 89208 | M3x14mm FHCS | 10 |
| 91474 | M7x14x3.5mm Bearings | 4 |
| 91560 | FT M5x10x4mm Bearings | 4 |



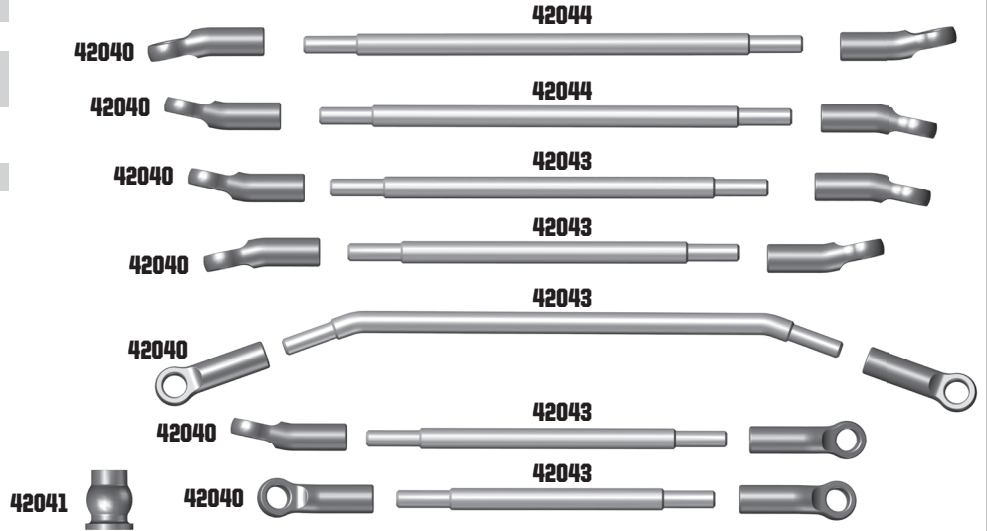
Shocks

| | | |
|-------|---|-------|
| 5407 | O-Rings, Red, Silicone | 8 |
| 6299 | E-Clipp, 1/8" | 12 |
| 42040 | Enduro Rod Ends | 2 |
| 42041 | Enduro Pivot Balls Set | 1 |
| 42054 | FT Enduro Pivot Ball, Steel | 10 |
| 42055 | FT Enduro Shock Bushing, Steel | 4 |
| 42080 | Enduro Shock Parts | 4 ea. |
| 42081 | Enduro Shock Internals | 1 |
| 42082 | Enduro Shock Body, Silver, 10x32mm | 2 |
| 42083 | Enduro Shock Shaft, 3x30mm | 2 |
| 42085 | Enduro Shock Parts, Blue Aluminum | 2 ea. |
| 42086 | FT Enduro Shock Body, Bronze, 10x32mm | 2 |
| 42087 | Shock Spring, Green 0.71 lb/in, 63mm Long | 2 |
| 42088 | Shock Spring, White, 0.95 lb/in, 63mm Long | 2 |
| 42089 | Shock Spring, Gray, 1.49 lb/in, 63mm Long - KIT | 2 |
| 42090 | Shock Spring, Blue, 2.09 lb/in, 63mm Long | 2 |
| 42091 | Shock Spring, Yellow, 2.47 lb/in, 63mm Long | 2 |
| 42201 | IFS Shock Bump Stops | 4 |
| 42230 | Shock Spring, Black, 4.75 lb/in, 63mm Long | 2 |



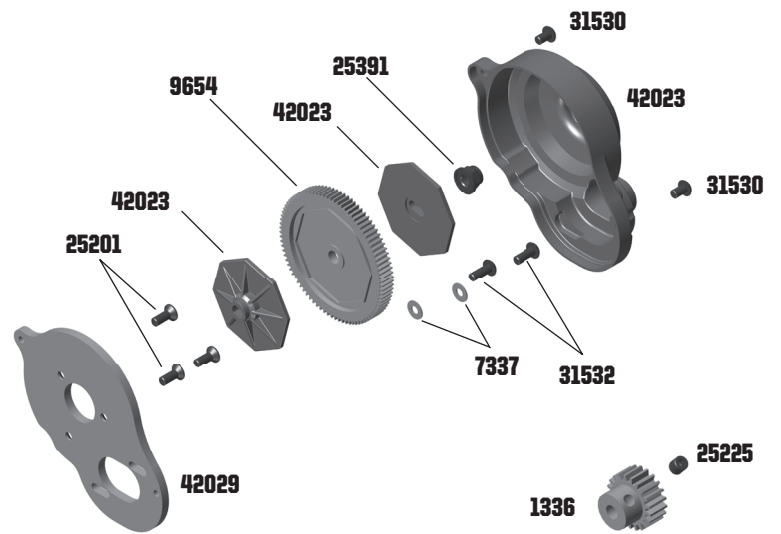
Tie Rods/Links

| | | |
|-------|---|----|
| 42040 | Enduro Rod Ends | 1 |
| 42041 | Enduro Pivot Balls Set | 1 |
| 42043 | Enduro Front Links Set (Steering, 73mm, 83mm, 90mm, 100mm) | 1 |
| 42044 | Enduro Rear Links Set (96mm, 100mm, 108mm, 114mm) | 1 |
| 42054 | FT Enduro Pivot Balls, Steel | 10 |
| 42055 | FT Enduro Shock Bushings, Steel | 4 |



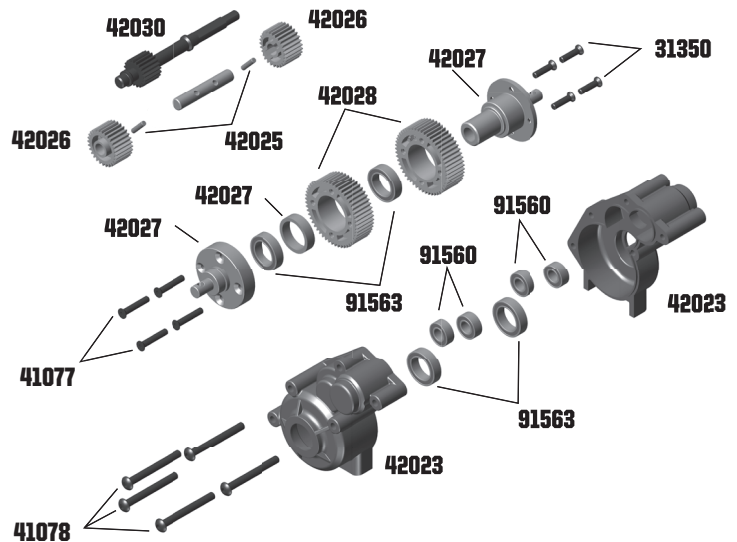
Motor Mount

| | | |
|-------|---|----|
| 1336 | 18T 48P Aluminum Pinion | 1 |
| 7337 | Washers, .250 x .125 x .015 | 4 |
| 9654 | Spur Gear, 87T, 48P | 1 |
| 25201 | M3x8mm FHCS | 10 |
| 25225 | M3x3mm Set Screw | 10 |
| 25391 | FT M4 Locknuts, Blue | 10 |
| 31530 | M3x5mm BHCS | 10 |
| 31532 | M3x8mm BHCS | 10 |
| 42023 | Stealth X Gearbox (Case, Gear cover, Spur Gear Hubs) | 1 |
| 42029 | Stealth X (Motor Plate) | 1 |



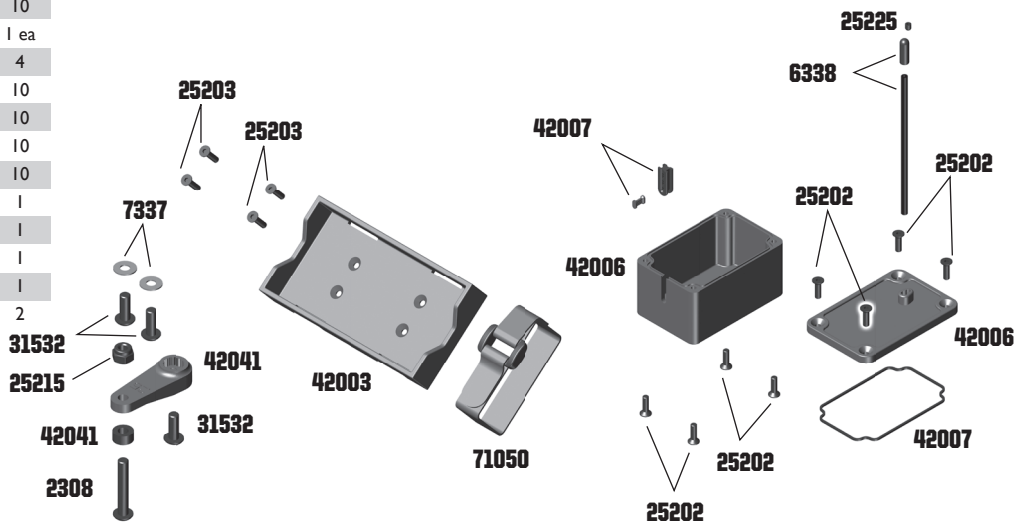
Transmission

| | | |
|-------|---|------|
| 31350 | M2.5x10mm FHCS | 10 |
| 41077 | M2.5x14mm FHCS | 10 |
| 41078 | M3x28mm BHCS | 10 |
| 42023 | Stealth X Gearbox (Case, Spur Gear Hubs, Gear Cover) | 1 |
| 42025 | Stealth X Idler Shaft, Idler Shim, Pins | 1 |
| 42026 | Stealth X Idler Gear (26T, 27T, 28T) | 1 ea |
| 42027 | Stealth X Outdrives | 1 |
| 42028 | Stealth X Drive Gear Set | 1 |
| 42030 | Stealth X Top Shaft (Stock Gearbox) | 1 |
| 91560 | FT Bearings, 5x10x4mm | 4 |
| 91563 | FT Bearings, 10x15x4mm | 4 |



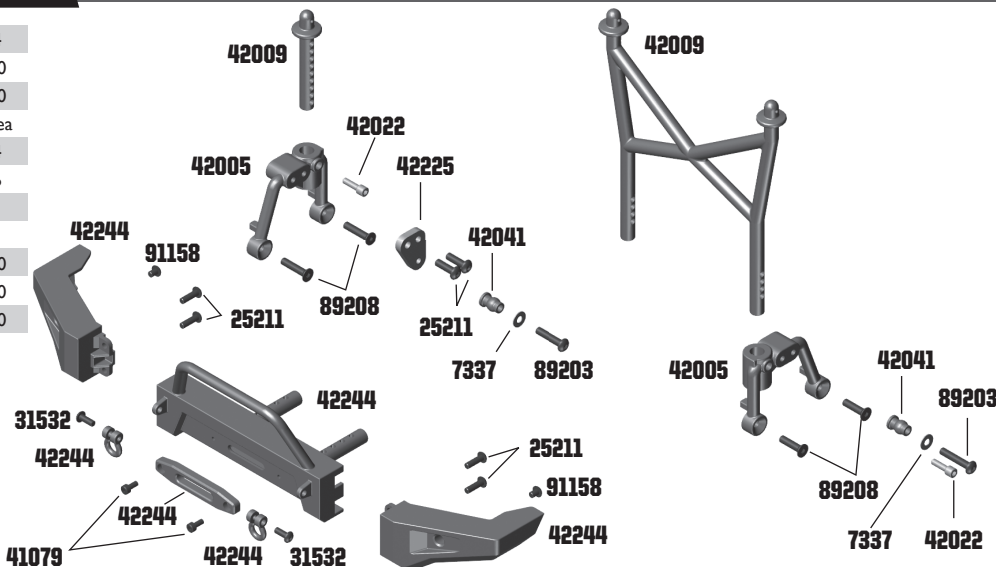
Battery Tray/Radio Box

| | | |
|-------|---|------|
| 2308 | M3x18mm BHCS | 10 |
| 6338 | Antenna Tube and Cap | 1 ea |
| 7337 | Washers, .250 x .125 x .015 | 4 |
| 25202 | M3x10mm FHCS | 10 |
| 25203 | M3x12mm FHCS | 10 |
| 25215 | M3 Locknut | 10 |
| 31532 | M3x8mm BHCS | 10 |
| 42003 | Enduro Battery Box (Small x1, Standard x1) | 1 |
| 42006 | Enduro Receiver Box (Bottom, Top) | 1 |
| 42007 | Enduro Receiver Box (Grommet, Plug, Gasket) | 1 |
| 42041 | Enduro Servo Horn, Spacer, Pivot Balls | 1 |
| 71050 | Hook and Loop Straps | 2 |



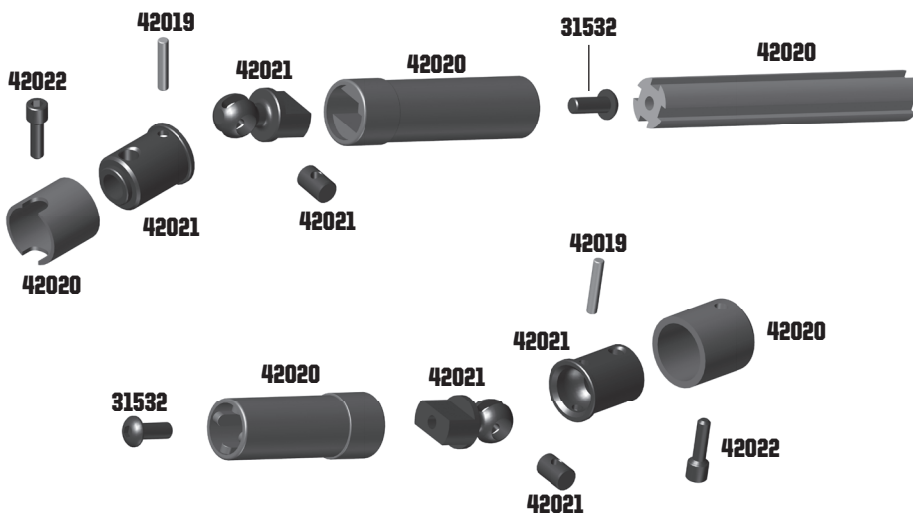
Bumpers/Body Mounts

| | | |
|-------|-------------------------------------|------|
| 7337 | Washers, .250 x .125 x .015 | 4 |
| 31532 | M3x8mm BHCS | 10 |
| 41079 | M2.5x6mm SHCS | 10 |
| 42005 | Shock Mount Set | 1 ea |
| 42009 | Enduro Body Posts (4 Short, 1 Tall) | 4 |
| 42022 | Screw Pin, 4x12mm | 6 |
| 42041 | Enduro Pivot Ball Set | 1 |
| 42244 | Trailrunner Bumper Set | 1 |
| 89203 | M3x16mm BHCS | 10 |
| 89208 | M3x14mm FHCS | 10 |
| 91158 | M3x4mm BHCS | 10 |



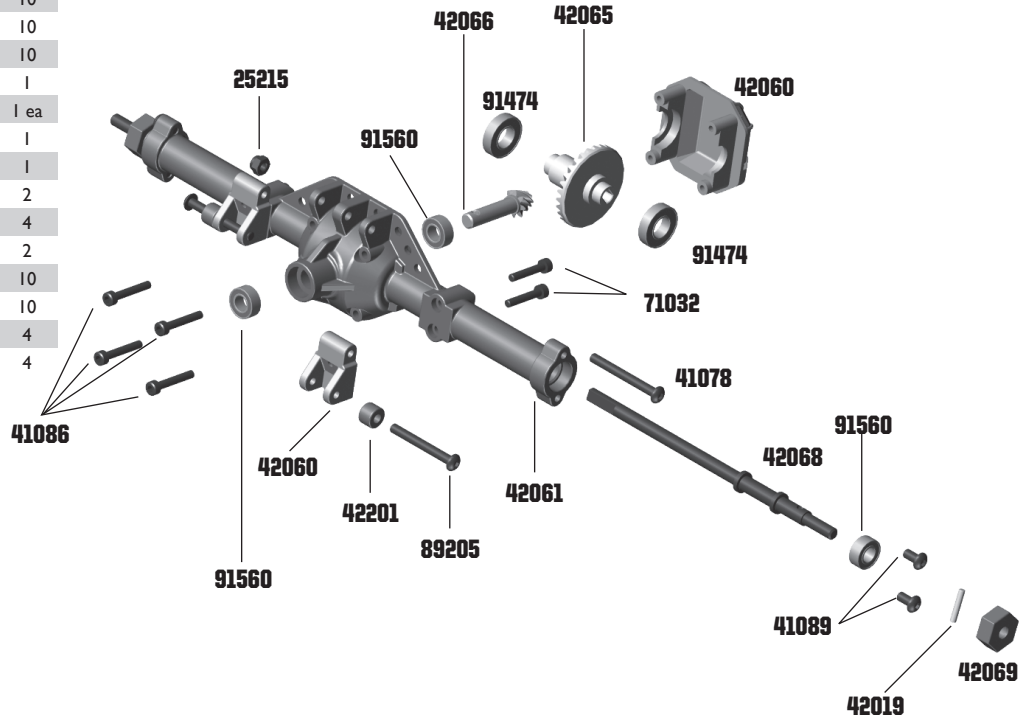
Drive Shafts

| | | |
|-------|------------------------------------|----|
| 31532 | M3x8mm BHCS | 10 |
| 42019 | Driveshaft Pin, M2x11mm | 10 |
| 42020 | Enduro Drive Shaft Parts, Molded | 1 |
| 42021 | Enduro Drive Shaft Parts, Machined | 1 |
| 42022 | Screw Pin, 4x12mm | 6 |



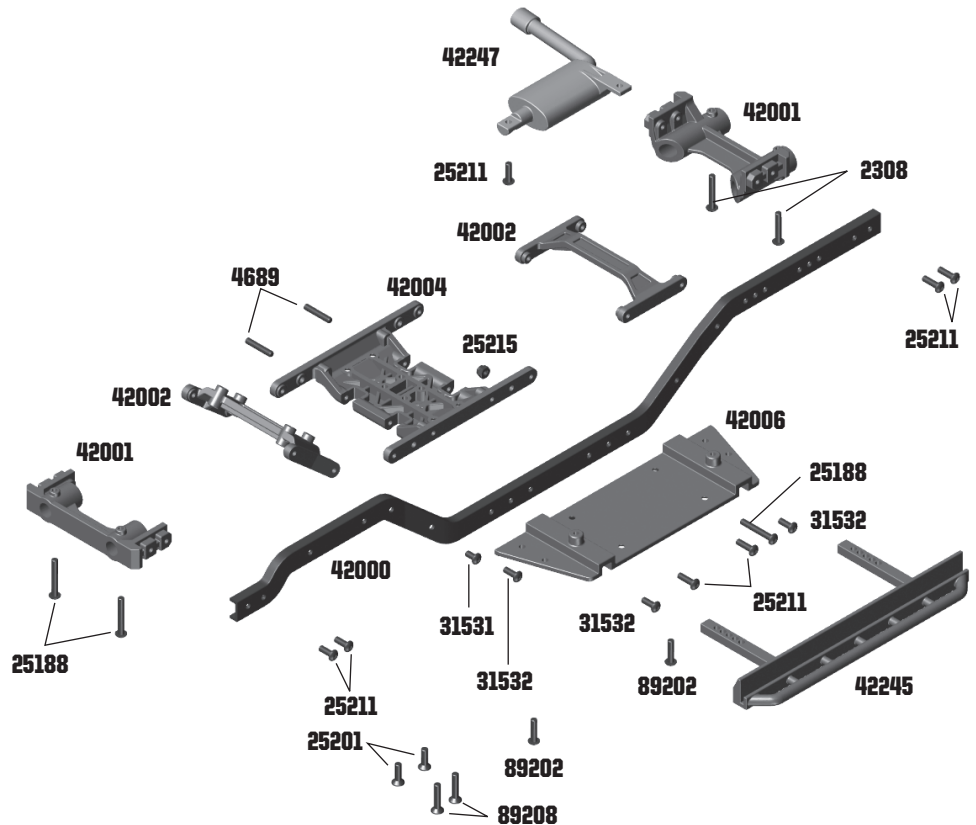
Rear Axle

| | | |
|-------|---|------|
| 25215 | M3 Locknut | 10 |
| 41078 | M3x28mm BHCS | 10 |
| 41086 | M2.5x16mm SHCS | 10 |
| 41089 | M3x6mm LP SHCS | 10 |
| 42019 | Enduro 2x11mm Pin | 10 |
| 42060 | Enduro Diff Cover and Lower 4-Link Mounts | 1 |
| 42061 | Enduro Axle Housing (Front, Rear) | 1 ea |
| 42065 | Enduro Ring Gear, 30T | 1 |
| 42066 | Enduro Pinion Gear, 8T | 1 |
| 42068 | Enduro Rear Drive Shaft, 80mm | 2 |
| 42069 | Enduro Wheel Hex, 6mm | 4 |
| 42201 | IFS Shock Bump Stop | 2 |
| 71032 | M2.5x14mm SHCS | 10 |
| 89205 | M3x26mm BHCS | 10 |
| 91474 | FT Bearings, 7x14x3.5mm | 4 |
| 91560 | FT Bearings, 5x10x4mm | 4 |



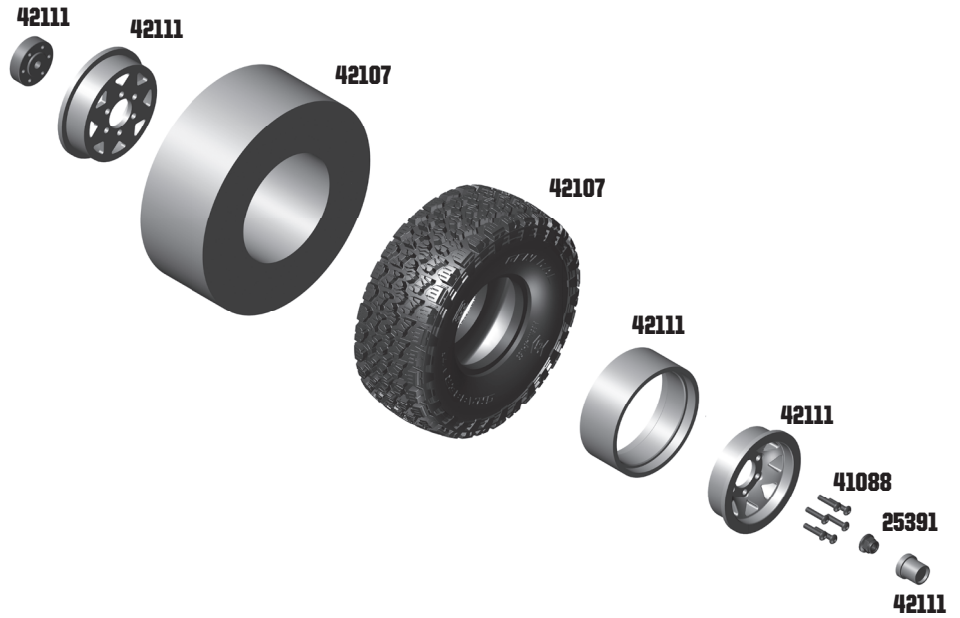
Chassis

| | | |
|-------|---------------------------------------|-------|
| 2308 | M3x18mm BHCS | 10 |
| 4689 | M3x16mm Set Screw | 10 |
| 25188 | M3x20mm BHCS | 10 |
| 25201 | M3x8mm FHCS | 10 |
| 25211 | M3x10mm BHCS | 10 |
| 25215 | M3 Locknuts | 10 |
| 31531 | M3x6mm BHCS | 10 |
| 31532 | M3x8mm BHCS | 10 |
| 42000 | Enduro Chassis Rail Set | 1 |
| 42001 | Enduro Bumper Mount Set (Front, Rear) | 1 ea. |
| 42002 | Enduro Frame Mounting Plates | 1 ea. |
| 42004 | Enduro Gearbox and Servo Mounts | 1 ea. |
| 42006 | Enduro Floor Boards and Receiver Box | 1 ea. |
| 42245 | Trailrunner Rock Sliders | 2 |
| 42247 | Trailrunner Exhaust, Magnaflow | 1 |
| 89202 | M3x12mm BHCS | 10 |
| 89208 | M3x14mm FHCS | 10 |



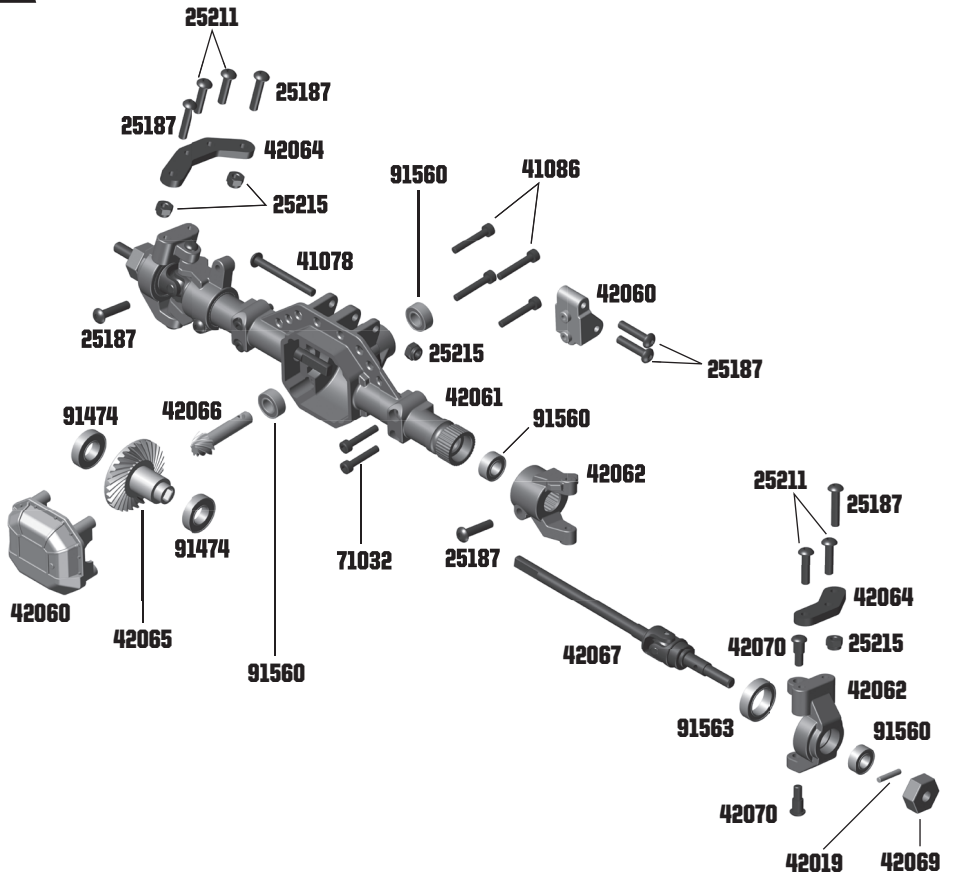
Wheel/Tire

| | | |
|-------|---|----|
| 25391 | FT M4 Locknuts, Blue | 10 |
| 41088 | M2.6x10mm | 10 |
| 42100 | Enduro Method 701 Trail Series Wheel, 1.9" Bronze | 4 |
| 42101 | Enduro Method 701 Trail Series Wheel, 1.9" Black | 4 |
| 42102 | FT Enduro Beadlock Rings, Brass | 4 |
| 42103 | FT Enduro Beadlock Hex Adapter, Aluminum | 4 |
| 42104 | FT Enduro Beadlock Hex Adapter, Brass | 4 |
| 42105 | FT Tire Insert, 1.9" | 2 |
| 42106 | General Grabber X3 Tire w/Insert (1.9x4.65" DIA) | 2 |
| 42107 | General Grabber ATX Tire w/Insert - KIT (1.55" x 3.85" DIA) | 2 |
| 42108 | Enduro The Ocho Wheel, 1.9" Silver | 4 |
| 42109 | Enduro The Ocho Wheel, 1.9" Black | 4 |
| 42110 | Enduro Trigon Wheel, 1.55" Silver | 4 |
| 42111 | Enduro Trigon Wheel, 1.55" Black | 4 |



Front Axle - Optional

| | | |
|-------|---|-------|
| 25187 | M3x14mm BHCS | 10 |
| 25211 | M3x10mm BHCS | 10 |
| 25215 | M3 Locknut | 10 |
| 41078 | M3x28mm BHCS | 10 |
| 41086 | M2.5x16mm SHCS | 10 |
| 42019 | Enduro 2x11mm Pin | 10 |
| 42060 | Enduro Diff Cover and Lower 4-Link Mounts | 1 |
| 42061 | Enduro Axle Housing (Front, Rear) | 1 ea. |
| 42062 | Enduro Caster Blocks and Steering Blocks | 1 ea. |
| 42064 | Enduro Steering Block Arms | 1 ea. |
| 42065 | Enduro Ring Gear, 30T | 1 |
| 42066 | Enduro Pinion Gear, 8T | 1 |
| 42067 | Enduro Front Universal, Driveshaft, 80mm | 2 |
| 42069 | Enduro Wheel Hex, 6mm | 4 |
| 42070 | Enduro Shoulder Screw (M3x10mm) | 6 |
| 71032 | M2.5x14mm SHCS | 10 |
| 91474 | FT Bearings, 7x14x3.5mm | 4 |
| 91560 | FT Bearings, 5x10x4mm | 4 |
| 91563 | FT Bearings, 10x15x4mm | 4 |



SHOCK FLUIDS

| | | |
|------|----------------------------------|------|
| 5420 | 10 Weight Silicone Shock Fluid | 2oz. |
| 5421 | 20 Weight Silicone Shock Fluid | 2oz. |
| 5422 | 30 Weight Silicone Shock Fluid | 2oz. |
| 5423 | 40 Weight Silicone Shock Fluid | 2oz. |
| 5424 | 22.5 Weight Silicone Shock Fluid | 2oz. |
| 5425 | 80 Weight Silicone Shock Fluid | 2oz. |
| 5426 | 27.5 Weight Silicone Shock Fluid | 2oz. |
| 5427 | 15 Weight Silicone Shock Fluid | 2oz. |
| 5428 | 25 Weight Silicone Shock Fluid | 2oz. |
| 5429 | 35 Weight Silicone Shock Fluid | 2oz. |
| 5430 | 45 Weight Silicone Shock Fluid | 2oz. |
| 5431 | 55 Weight Silicone Shock Fluid | 2oz. |
| 5432 | 32.5 Weight Silicone Shock Fluid | 2oz. |
| 5433 | 37.5 Weight Silicone Shock Fluid | 2oz. |
| 5434 | 42.5 Weight Silicone Shock Fluid | 2oz. |
| 5435 | 50 Weight Silicone Shock Fluid | 2oz. |
| 5436 | 60 Weight Silicone Shock Fluid | 2oz. |
| 5437 | 70 Weight Silicone Shock Fluid | 2oz. |
| 5438 | 47.5 Weight Silicone Shock Fluid | 2oz. |

BODIES & DECALS

| | | |
|-------|---|----|
| 5407 | O-Rings, Red, Silicone | 8 |
| 6332 | Body Clips | 10 |
| 7187 | M2x8mm SHCS | 10 |
| 21173 | Body Clips, Small | 10 |
| 25203 | M3x12mm FHCS | 10 |
| 31509 | M2x3mm BHCS | 10 |
| 31511 | M2x5mm SHCS | 10 |
| 31531 | M3x6mm BHCS | 10 |
| 41079 | M2.5x6mm SHCS | 10 |
| 42120 | Sendero Body Set, Clear (with Black Body Accessories) | 1 |
| 42121 | Sendero Body, Clear (Cab, Bed, Window Masks) | 1 |
| 42122 | Sendero Body Decal Sheet | 1 |
| 42123 | Sendero Body Accessories, Black | 1 |
| 42124 | Sendero Body Accessories, Chrome | 1 |
| 42125 | Sendero Body Accessories, Satin Chrome | 1 |
| 42126 | Sendero Bumpers (Front, Rear, and Fairlead), Black | 1 |
| 42127 | FT Sendero Fairlead, Aluminum | 1 |
| 42128 | FT Sendero Fairlead, Gunmetal Aluminum | 1 |
| 42129 | FT Sendero Fairlead, Green Aluminum | 1 |
| 42130 | FT Sendero Fairlead, Blue Aluminum | 1 |
| 42132 | Sendero Inner Fenders | 1 |
| 42133 | Element Decal Sheet | 1 |
| 42140 | Trail Walker Body Set, Clear | 1 |
| 42141 | Trail Walker Body, Clear | 1 |
| 42142 | Trail Walker Decal Set | 1 |
| 42143 | Trail Walker Body Accessories, Black | 1 |
| 42144 | Trail Walker Body Accessories, Silver | 1 |
| 42145 | Trail Walker Body Accessories, Grommets | 1 |
| 42147 | Trail Walker Body, Rear Shell | 1 |
| 42241 | Trailrunner Body Set, Clear | 1 |
| 42242 | Trailrunner Decal Sheet | 1 |
| 42243 | Trailrunner Body Accessories | 1 |
| 42244 | Trailrunner Bumper Set | 1 |
| 42245 | Trailrunner Rock Sliders | 2 |
| 42246 | Trailrunner Rock Sliders, Hard | 2 |
| 42247 | Trailrunner Exhaust, Magnaflow | 1 |

OPTION PARTS

| | | |
|-------|--|-------|
| 42010 | Enduro Bumper Mounts, Hard | 1 |
| 42013 | Enduro Shock Mount Set, Hard | 1 |
| 42014 | Enduro Floor Board, Receiver Box, Hard | 1 |
| 42015 | Enduro Rock Slider, Hard | 1 |
| 42018 | Enduro 12.8" Wheelbase Conversion | 1 |
| 42024 | Stealth X Gearbox Top Shaft, Inverse Gearbox | 1 |
| 42031 | FT Stealth X Gearbox Idler Gear Set, Machined | 1 |
| 42032 | FT Stealth X Gearbox Drive Gear Set, Machined | 1 |
| 42033 | FT Stealth X Spur Gear Hub, Aluminum | 2 |
| 42034 | Stealth X Gearbox, Complete | 1 |
| 42045 | FT Enduro High Clearance Link Set | 1 |
| 42054 | FT Pivot Ball, Steel (6mm) | 10 |
| 42055 | FT Pivot Ball, Shock Bushing, Steel | 4 |
| 42056 | FT Enduro Pivot Ball Set, Steel | 1 |
| 42058 | FT Enduro Ring Gear Spool | 1 |
| 42059 | FT Enduro Ring Gear, Machined 30T | 1 |
| 42071 | Enduro Diff Cover and Lower 4-Link Mounts, Hard | 1 |
| 42072 | Enduro Axle Housing (Front, Rear), Hard | 1 ea |
| 42073 | Enduro Caster and Steering Blocks, Hard | 1 |
| 42076 | FT Enduro Wheel Hex, 6mm (w/Set Screw) Steel | 4 |
| 42078 | FT Enduro Shock Set, 10x90mm | 1 |
| 42077 | Enduro Axle Kit, Complete (Builds either 1 front or 1 rear axle) | 1 |
| 42085 | Enduro Shock Parts, Blue Aluminum | 2 ea. |
| 42086 | FT Enduro Shock Bodies, Bronze, 10x32mm | 2 |
| 42103 | FT Enduro Beadlock Hex Adapters, Aluminum | 4 |
| 42104 | FT Enduro Beadlock Hex Adapters, Brass | 4 |
| 42105 | FT Tire Inserts, 1.9", 4.56 Inner Diameter | 2 |
| 42206 | Enduro IFS Steering Bellcranks, Hard | 1 |
| 42207 | Enduro IFS Suspension Arms, Hard | 1 |
| 42208 | Enduro IFS Gearbox and Servo Mounts Set, Hard | 1 |
| 42209 | Enduro IFS Skid Plates, Hard | 1 |

PINIONS / SPUR GEARS

| | | |
|------|------------------------------------|---|
| 1335 | 17T 48P Aluminum Pinion Gear | 1 |
| 1336 | 18T 48P Aluminum Pinion Gear (Kit) | 1 |
| 1337 | 19T 48P Aluminum Pinion Gear | 1 |
| 1338 | 20T 48P Aluminum Pinion Gear | 1 |
| 1339 | 21T 48P Aluminum Pinion Gear | 1 |
| 1340 | 22T 48P Aluminum Pinion Gear | 1 |
| 1341 | 23T 48P Aluminum Pinion Gear | 1 |
| 1342 | 24T 48P Aluminum Pinion Gear | 1 |
| 1343 | 25T 48P Aluminum Pinion Gear | 1 |
| 1344 | 26T 48P Aluminum Pinion Gear | 1 |
| 1345 | 27T 48P Aluminum Pinion Gear | 1 |
| 9652 | 78T 48P Spur Gear | 1 |
| 9653 | 84T 48P Spur Gear | 1 |
| 9654 | 87T 48P Spur Gear (Kit) | 1 |

LUBES & ADHESIVES

| | | |
|------|---------------------------|---|
| 1105 | FT Green Slime Shock Lube | 1 |
| 1596 | FT Locking Adhesive | 1 |
| 1597 | FT Tire Adhesive, medium | 1 |
| 6588 | Black Grease - 4cc | 1 |
| 6591 | S.Diff Lube - 4cc | 1 |
| 6636 | Silicone Grease - 4cc | 1 |
| 6727 | Servo Tape | 2 |

XP / AE ELECTRONICS

| | | |
|-------|-------------------------------------|--|
| 29204 | AE XP-R4 2.4GHz 4CH Receiver | |
| 29257 | AE XP130 2.4GHz 3CH Radio System | |
| 29262 | ESS-One+ 2017 Engine Sound System | |
| 29263 | ESS-Dual+ Engine Sound System | |
| 29264 | ESS-Air Engine Sound System | |
| 29265 | XP Police Light Bar, 1:10 Scale | |
| 29266 | XP LED RC Light Kit (12 LED's) | |
| 29267 | XP LED Roof Light Kit (4 LED's) | |
| 29268 | XP LED Roof Light Kit (6 LED's) | |
| 29272 | XP 5 LED Aluminum Light Bar, 88mm | |
| 29273 | XP 7 LED ALuminum Light Bar, 120mm | |
| 29274 | XP 10 LED Aluminum Light Bar, 170mm | |
| 29275 | XP LED Light Bar Hardware | |
| 29277 | XP Head and Tail Light Kit | |
| 29279 | XP LED Rock Light Set, 150mm | |
| 29290 | XP DSV System | |

REEDY ELECTRONICS

MOTORS

| | | |
|-------|--|--|
| 27424 | Reedy Radon2 Crawler 16T 5-Slot 1850kV Brushed Motor | |
| 27425 | Reedy Radon 2 15T 3-Slot 4100Kv Brushed Motor | |
| 27426 | Reedy Radon 2 17T 3-Slot 3600Kv Brushed Motor | |
| 27427 | Reedy Radon 2 19T 3-Slot 3200Kv Brushed Motor | |
| 27430 | Reedy Crawler 16T 5-Slot RTR Brushed Motor | |
| 27431 | Reedy Radon2 Crawler 12T 5-Slot 2700kV Brushed Motor | |
| 27432 | Reedy Radon2 Crawler 20T 5-Slot 1500kV Brushed Motor | |

ESC's (SPEED CONTROLLERS)

| | | |
|-------|----------------------------------|--|
| 29199 | Reedy SC400X Brushed Crawler ESC | |
|-------|----------------------------------|--|

SERVOs & SERVO ACCESSORIES

| | | |
|-------|---|--|
| 27100 | RS1206 Digital HV Hi-Speed Competition Servo | |
| 27101 | RT1508 Digital HV Hi-Torque Competition Servo | |
| 27102 | RS1206 Servo Case Set w/screws | |
| 27103 | RS1206 Servo Gear Set | |
| 27104 | RT1508 Servo Case Set w/screws | |
| 27105 | RT1508 Servo Gear Set | |
| 27110 | 0712MG Digital RTR Servo | |
| 27111 | 1514MG Digital RTR Servo | |
| 27114 | RT2406 Digital HV Brushless Competition Servo | |
| 27115 | RT2706A Digital HV Aluminum Brushless Competition Servo | |
| 27116 | RC2312 Digital HV Competition Crawler Servo | |
| 27122 | Reedy Aluminum Servo Horn (25) | |
| 27123 | Reedy Aluminum Clamping Servo Horn (25) | |
| 27129 | 0712MG Servo Gear Set | |
| 27130 | 1514MG Servo Gear Set | |
| 27135 | RT2406 Gear Set | |
| 27136 | RT2706A Gear Set | |
| 27139 | RT2406 Case Set | |
| 27140 | RC2312 Gear Set | |
| 27141 | RC2312 Case Set | |
| 27142 | 1320MG Digital RTR Servo | |

REEDY BATTERIES / CHARGERS

BATTERIES

| | | |
|-------|---|--|
| 302 | AA Alkaline 1.5V (4) | |
| 682 | Wolfpack 3000mAh 7.2V w/T-Plug connector | |
| 751 | Wolfpack LiPo 3300mAh 30C 7.4V w/T-Plug (#730) | |
| 752 | Wolfpack LiPo 4000mAh 35C 7.4V w/T-Plug (#731) | |
| 753 | Wolfpack LiPo 5400mAh 35C 7.4V w/T-Plug (#732) | |
| 754 | Wolfpack LiPo 7500mAh 30C 7.4V w/T-Plug (#734) | |
| 755 | Wolfpack LiPo 4500mAh 35C 11.1V w/T-Plug (#735) | |
| 758 | Wolfpack LiPo 3000mAh 30C 7.4V Shorty w/T-Plug | |
| 759 | Wolfpack LiPo 3000mAh 30C 11.1V Shorty w/T-Plug | |
| 27313 | LiPo Pro TX/RX 2400mAh 7.4V Flat | |
| 27315 | LiFe Pro TX/RX 1600mAh 6.6V Flat | |

CHARGERS

| | | |
|---------|--|--|
| 27200 | I216-C2 Dual AC/DC Competition Battery Charger | |
| 27200CN | I216-C2 Dual AC/DC Competition Battery Charger - CHN Plug | |
| 27200EU | I216-C2 Dual AC/DC Competition Battery Charger - EURO Plug | |
| 27200UK | I216-C2 Dual AC/DC Competition Battery Charger - UK Plug | |
| 27201 | 324-S AC LiPo/LiFe Compact Balance Charger | |
| 27201C2 | 324-S Charger w/3300mAh 7.4V LiPo Battery | |
| 27201C2 | 324-S Charger w/4500mAh 11.1V LiPo Battery | |
| 27202 | I23-S AC LiPo Compact Balance Charger | |

CHARGER ACCESSORIES

| | | |
|-------|--|--|
| 27220 | 7-in-1 Universal Charge Lead (4mm) | |
| 27221 | T-plug Charge Lead (4mm) | |
| 27222 | XH 2-6S Balance Board (4mm) | |
| 27223 | RX Charger Lead FUT (4mm) | |
| 27224 | US to IEC 320 C5 angle IMAC Power Cord | |
| 27225 | US to IEC 320 C5 angle .5M AC Power Cord | |
| 27226 | EU to IEC 320 C5 angle IMAC Power Cord | |
| 27227 | UK to IEC 320 C5 angle IMAC Power Cord | |
| 27228 | AU to IEC 320 C5 angle IMAC Power Cord | |
| 27229 | CN to IEC 320 C5 angle IMAC Power Cord | |

REEDY ACCESSORIES

| | | |
|-------|------------------------------------|--|
| 647 | Silicone Wire 12AWG-Black (1m) | |
| 648 | Silicone Wire 14AWG-Black (1m) | |
| 650 | Shrink Tubing - 15pcs 4.5mm x 20mm | |
| 790 | Silicone Wire 13AWG-Black (1m) | |
| 791 | Silicone Wire 13AWG-Black (30m) | |
| 27304 | LiPo Battery Weight Set - Shorty | |
| 27433 | Reedy Radon 2 Brush and Spring Set | |
| 27434 | Reedy Radon 2 Wire Set | |

APPAREL / PROMOTIONAL

TEE SHIRTS

| | | |
|---------------|--|---|
| SP124* | AE 2017 Worlds Tee, Black (S, M, L, XL-5XL) | I |
| SP126* | Team Associated Tri T-Shirt, Black (S, M, L, XL-5XL) | I |
| SP140* | Reedy Heritage Tee, Black (S, M, L, XL-5XL) | I |
| SP200* | Element RC Logo Tee, Gray (S, M, L, XL-5XL) | I |
| SP201* | Element RC Rhombus Tee, Black (S, M, L, XL-5XL) | I |

HOODIES/JACKETS

| | | |
|---------------|--|---|
| SP142* | Reedy W19 Hoodie - Black (S, M, L, XL-3XL) | I |
| SP230 | Element RC Zip Up, Black (S, M, L, XL-5XL) | I |
| SP231 | Element RC Hoodie, Black (S, M, L, XL-5XL) | I |
| SP250 | Element RC Jacket, Black (S, M, L, XL-2XL) | I |

HATS

| | | |
|--------------|------------------------------------|---|
| SP20 | AE Patch Trucker Hat | I |
| SP430 | Reedy Trucker Hat 2018 | I |
| SP260 | Element RC Hat, Curved Bill, Black | I |
| SP261 | Element RC Hat, Flat Bill, Black | I |
| SP262 | Element RC Beanie, Black | I |

BANNERS/MATS CARRIERS

| | | |
|---------------|--|---|
| SP29 | Team Associated Countertop/Setup Mat | I |
| SP30 | Team Associated Pit Mat | I |
| SP31 | Reedy Countertop/Setup Mat | I |
| SP115 | Reedy Circuit Cloth Banner | I |
| SP280 | Element RC Counter Top Mat | I |
| SP281 | Element RC Pit Mat | I |
| SP282 | Element RC Pit Towel | I |
| SP425 | FT Fluid Carrier | I |
| SP426 | Team Associated Countertop / Setup Mat | I |
| SP427 | Reedy Countertop / Setup Mat | I |
| I10684 | Team Associated Track Banner | I |
| I10685 | Team Associated Cloth Banner | I |

TOOLS

| | | |
|--------------|--|----|
| I111 | FT Turnbuckle Wrench | I |
| I112 | FT 4mm Turnbuckle Wrench | I |
| I113 | 12mm Big Bore Shock Tool | I |
| I114 | FT Dual Turnbuckle Wrench | I |
| I449 | Off Road Ride Height Gauge | I |
| I452 | FT TC Ride Height Gauge | I |
| I498 | FT Universal Tire Balancer | I |
| I499 | FT Body Reamer | I |
| I500 | FT 1.5mm Hex Driver | I |
| I501 | FT 2.0mm Hex Driver | I |
| I502 | FT 2.0mm Ball Hex Driver | I |
| I503 | FT 2.5mm Hex Driver | I |
| I504 | FT 2.5mm Ball Hex Driver | I |
| I505 | FT 3.0mm Hex Driver | I |
| I506 | FT 5.0mm Hex Driver | I |
| I507 | FT 5.5mm Nut Driver | I |
| I508 | FT 7.0mm Nut Driver | I |
| I510 | FT 1.5mm Hex Replacement Tip | I |
| I511 | FT 2.0mm Hex Replacement Tip | I |
| I512 | FT 2.0mm Ball Replacement Tip | I |
| I513 | FT 2.5mm Hex Replacement Tip | I |
| I514 | FT 2.5mm Ball Replacement Tip | I |
| I515 | FT 3.0mm Hex Replacement Tip | I |
| I518 | FT HEX Driver Tool Set (3pcs) | I |
| I519 | FT Hex/Nut Driver Tool Set (5pc) | I |
| I522 | FT Digital Scale, 100/0.01g | I |
| I555 | FT Clutch Gauge, 4 Shoe | I |
| I568 | FT 5.5mm Short Nut Driver | I |
| I569 | FT 7mm Nut Driver, T-Handle | I |
| I570 | FT 5.5mm Short Nut Driver | I |
| I571 | FT 1:8 Wheel Nut Wrench, 17mm Hex | I |
| I579 | FT Ball Cup Wrench - (will not work on Enduro rod ends) | I |
| I595 | Chassis Weights, 1/4 oz | I |
| I650 | 7 Piece Hex Driver Set | I |
| I657 | FT 1/4" Hex Drive .050" Tip | I |
| I658 | FT 1/4" Hex Drive 1/16" Tip | I |
| I659 | FT 1/4" Hex Drive 5/64" - 2.0mm Tip | I |
| I660 | FT 1/4" Hex Drive 3/32" Tip | I |
| I661 | FT 1/4" Hex Drive 1.5mm Tip | I |
| I662 | FT 1/4" Hex Drive 2.5mm Tip | I |
| I666 | FT 1/4" Hex Drive 5.5mm Nut Driver Tip | I |
| I667 | FT 1/4" Hex Drive 7.0mm Nut Driver Tip | I |
| I668 | FT 1/4" Hex Drive 8.0mm Nut Driver Tip | I |
| I673 | FT 1/4" Hex Drive 2.5mm Ball End Tip | I |
| I674 | FT 1/4" 5 Piece Power Tool Tips Set (5/64"-2.0mm, 1.5mm, 2.5mm, 5/64"- 2.0mm ball, 2.5mm ball) | I |
| I675 | FT Shock Shaft Pliers | I |
| I679 | FT T-Handle Ratchet Driver | I |
| I719 | FT Camber + Track Width Tool | I |
| I737 | FT Body Scissors | I |
| 3718 | 12 Inch Nylon Wire Ties | 12 |
| 3720 | 8 Inch Nylon Wire Ties | 12 |
| 3987 | FT Droop Gauge | I |
| 7709 | 4 Inch Nylon Wire Ties | 12 |
| 89240 | RC8 FT Turnbuckle Wrench | I |

* Use part number plus the desired size when ordering!

GATE 01**STEALTH X: BUILD CONFIGURATION: MOTOR MOUNT FACING REAR (STOCK)****OVERDRIVE:**

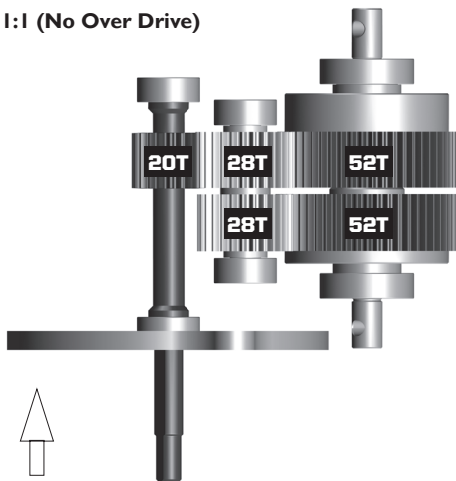
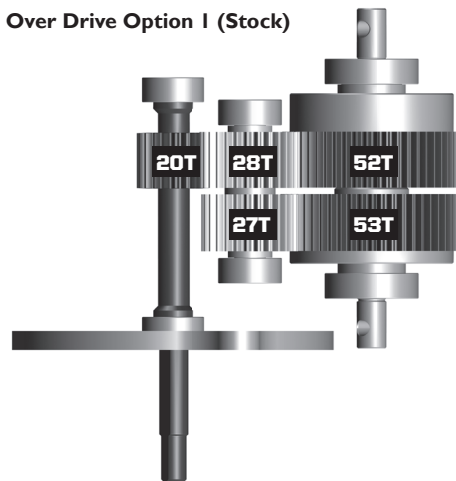
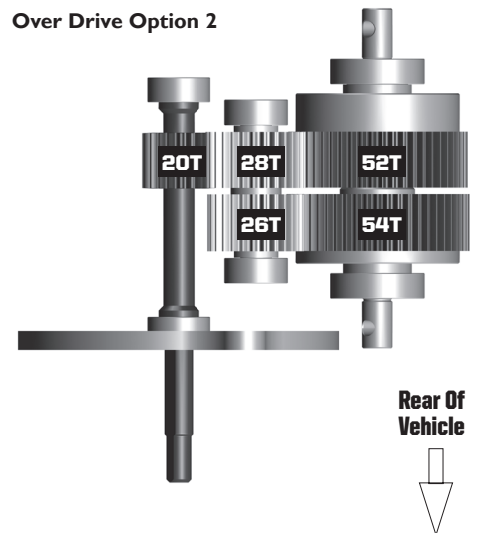
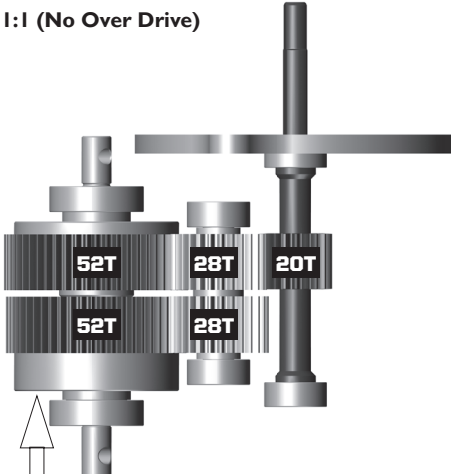
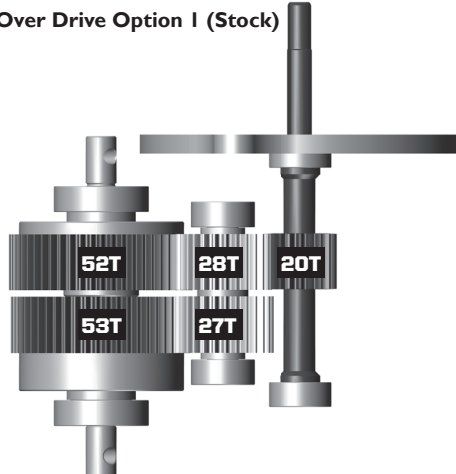
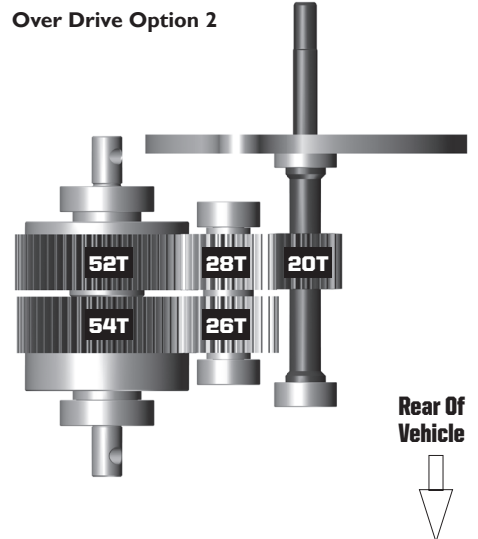
Overdrive is a scenario where the front and rear wheels do not rotate at the same speed. The Stealth X gearbox is designed to allow the front wheels to spin faster than the rear wheels. Overdrive is advantageous when climbing up rock faces because the front tires will want to pull the vehicle up the rock. On descents, the rear tires rotating slower than the front tires will help keep the chassis more stable and keep the rear tires planted on the ground.

Stealth X:

The Stealth X gearbox allows the driver to change the front to rear drive ratios with 3 separate ratio adjustments to the rear drive shaft. The driver has the option to flip the gearbox direction (motor mount facing the front) the optional inverse top shaft (#42024) is required.

Please Note:

The 20T top shaft, 28T idler gear, and 52T drive gear will always be meshed together in all 6 gearbox configurations.

GATE 02**STEALTH X: BUILD CONFIGURATION: MOTOR MOUNT FACING REAR (STOCK)****1:1 (No Over Drive)****Over Drive Option 1 (Stock)****Over Drive Option 2****GATE 03****STEALTH X: BUILD CONFIGURATION: MOTOR MOUNT FACING FRONT (OPTIONAL - REQUIRES #42024 - TOP SHAFT)****1:1 (No Over Drive)****Over Drive Option 1 (Stock)****Over Drive Option 2**

TRAIL TIPS AND CHECKLIST

PREPARING TO HIT THE TRAIL:

When preparing to hit the trail, it's a good idea to have a checklist to make sure you have everything and don't end up having to head back early. We've compiled a checklist of the things we think you'll need on the trail. We've also left some space for you to add your specific items to the list. Keep in mind these are suggestions and every person will require different items. Weather and altitude will also dictate how much food and water a person will require. Do a little research first before heading out for a full day on the trail.

- Truck with Charged Battery
- 1-2 spare Charged Batteries for your rig
- Radio with Charged Batteries
- Spare radio batteries
- Check all nuts and screws and tighten them. Including Wheel nuts!
- Spare parts (Nuts, Screws, Body Clips, and anything that may wear or break)
- Backpack
- Water (2 liters per person minimum)
- Snacks (protein bars, trailmix, etc.)
- Sturdy shoes (Hiking boots preferably or something with grip and ankle support)
- Element Hat or Beanie
- Element Hoodie or Jacket
- Sunscreen
- Bug Spray
- Lip Balm
- Nut Drivers (Factory Team Nut Drivers #1507, 1508)
- Allen wrenches (Factory Team Hex Driver set #1650)
- Cell phone and charger
- Headlight or flashlight with spare batteries
- Compact action camera
- Camera
- Tripod
- _____
- _____
- _____
- _____
- _____
- _____

TREAD LIGHTLY:

Remember, when driving your rig out on the trails, it's important to tread lightly. We all know that the best place to enjoy our hobby is out in nature, and that means we need to preserve it for future hobbyist so we all have a place to enjoy. Here are a few tips to remember when out on the trail.

• Pack In/Pack Out:

Don't leave anything behind. Whether it's trash, parts, or food. If you brought it, take it with you.

• National and Public Parks:

If visiting a national park, leave the RC cars at home. It is illegal to drive any radio control vehicle within national park boundaries. Public parks are slightly different, some may allow radio control cars and others may not. Check with your local officials before driving in a public park.

• Be Considerate:

Where ever you drive your radio control car, always be considerate of others. Hikers, bicyclists, and animals should always be given the right of way.

• Keep It Quiet:

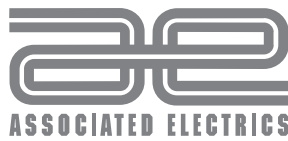
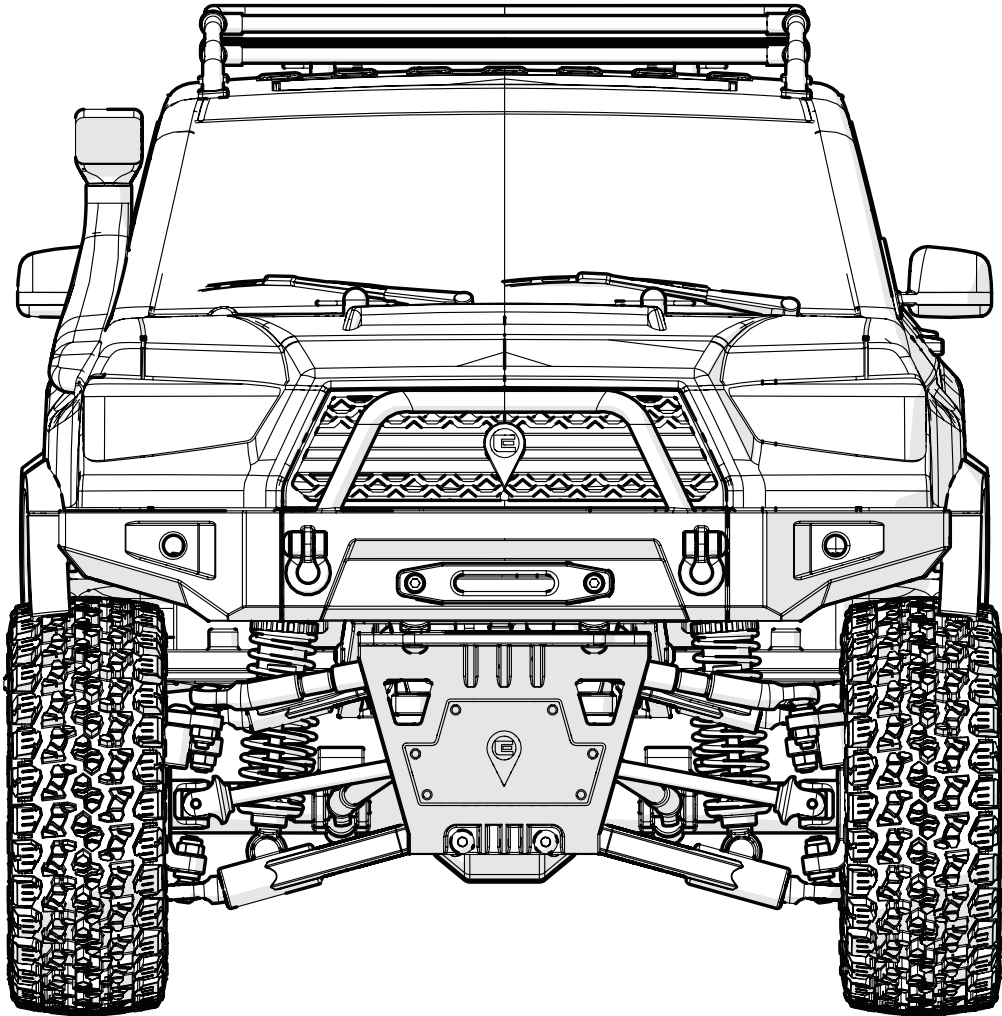
If you're sharing an area with other people, try to keep the noise to a minimum. If you come across animals or anglers, please be considerate and give them space.

• Give A Hoot, Don't Pollute:

When enjoying the outdoors take your trash with you. Not only is it bad for the environment, it's unsightly. If you see trash, pick it up, even if it isn't yours. If we all do our part we can work together to keep our planet beautiful for future generations.

• Only You Can Prevent Wild Fires:

Some of us like to mix camping with RC cars. This is great! Just remember to follow all safety precautions and put out any camp fires before calling it a night. Also, be sure to unplug and **store all LiPo batteries in LiPo sacks and a fire resistant storage device.**



ASSOCIATED ELECTRICS, INC.
21062 BAKE PARKWAY, LAKE FOREST, CA 92630 USA

CALL: (949) 544-7500 - FAX: (949) 544-7501
CHECK OUT THE FOLLOWING WEB SITES FOR ALL OF OUR KITS,
CURRENT PRODUCTS, NEW RELEASES, SETUP HELP, TIPS, AND RACING INFO!
WWW.ASSOCIATELECTRICS.COM
#112070



ElementRC



@Element_RC